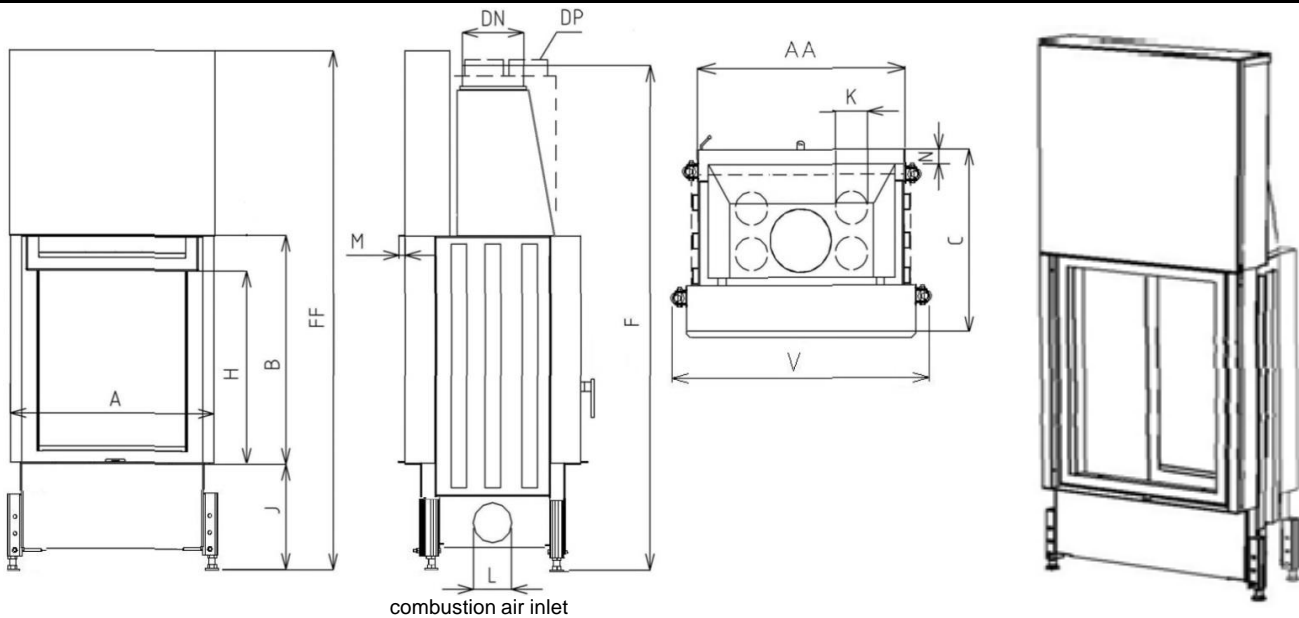


BYSTRÁ O 44 VD 510/570,670

Range 44



Sizes		BYSTRÁ O 44 VD 510/570	BYSTRÁ O 44 VD 510/670
1	A	mm	510
2	F	mm	1380
3	C	mm	580
4	DN	Ø mm	180
5	B	mm	570
6	FF	mm	1600
7	V	mm	660
8	AA	mm	440
9	H	mm	455
10	J	mm	325 + /160/
11	K	Ø mm	4x125
12	L	Ø mm	125
13	M	mm	20
14	N	mm	50

Basic design:

Thermodynamic Hearth
 Segment chamotte lining SO
 Glass Classic
 Inox control grip-handle MP2, RP2
 1 x VD, 1 x LD
 Environmentally friendly varnish

Technical parameters			
1	Nominal heat output	kW	8,0
2	Pressure required	Pa	12
3	Average efficiency	%	75,7
4	Average flue gas temperature	°C	280
5	Wood consumption	kg/h	2,9
6	Consumption of combustion air	m ³ /h	24
7	Emission of CO to 13% O ₂	%	0,1
8	Flue gas mass flow	g/s	8,6
9	Weight	kg	275
10	Required min. cross section for circulating air - INPUT	cm ²	250
11	Required min. cross section for circulating air - OUTPUT	cm ²	400
12	Three-component insulated chimney - active height 5 m	Ø cm	180
13	Character of building construction with fireplace insert	warm air convection	Yes
		heat storage without conv	No

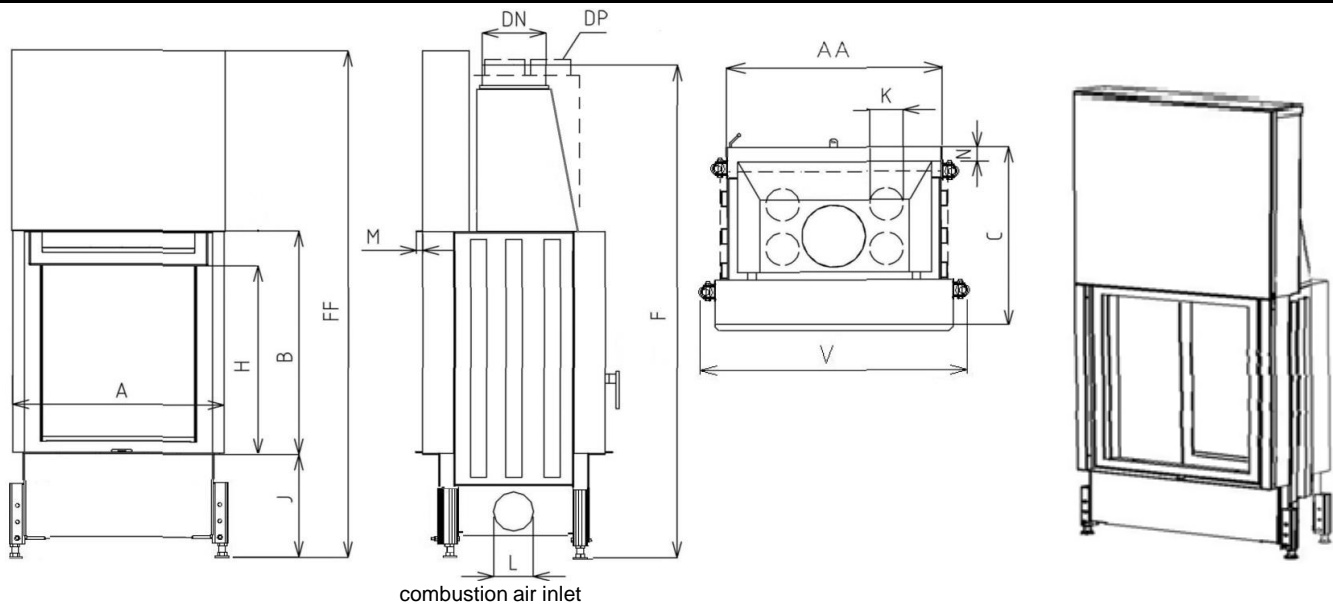
Optional accessories:

Cover frame (KR)
 Glass Reflex (SR)
 Black printed glass (SM)
 External ashtray (VOP)
 Lower hearth (ZO)
 Convectional casing (DP)
 Rear feeding door (DPS, DPSO)
 Vertical heat-storing panel (AZ)
 Lift up door (2xVD)

Test Method: ČSN EN 1322/A2:2007, FprEN16510-1, FprEN16510-2-2

Fireplace complies with the requirements: EN 13229, DIN +, BlmSchV-Stufe 2, Commission Regulation (EU) č. 2015/1185 Ecodesign requirements

KOBOK reserves the right to change dimensions and parameters described in these sheets. The current edition can be downloaded from www.KOBOK.sk



Sizes		BYSTRÁ O 50 VD 570/670	BYSTRÁ O 50 VD 570/790
1	A	mm	570
2	F	mm	1480
3	C	mm	580
4	DN	Ø mm	180
5	B	mm	670
6	FF	mm	1750
7	V	mm	680
8	AA	mm	500
9	H	mm	455
10	J	mm	325 + /160/
11	K	Ø mm	4x125
12	L	Ø mm	125
13	M	mm	20
14	N	mm	50

Basic design:

Thermodynamic Hearth
 Segment chamotte lining SO
 Glass Classic
 Inox control grip-handle MP2, RP2
 1 x VD, 1 x LD
 Environmentally friendly varnish

Technical parameters			
1	Nominal heat output	kW	9,5
2	Pressure required	Pa	12
3	Average efficiency	%	76,1
4	Average flue gas temperature	°C	277
5	Wood consumption	kg/h	3
6	Consumption of combustion air	m ³ /h	28,5
7	Emission of CO to 13% O ₂	%	0,1
8	Flue gas mass flow	g/s	10,3
9	Weight	kg	300
10	Required min. cross section for circulating air - INPUT	cm ²	300
11	Required min. cross section for circulating air - OUTPUT	cm ²	475
12	Three-component insulated chimney - active height 6 m	Ø cm	180
13	Character of building construction with fireplace insert	warm air convection	Yes
		heat storage without conv	No

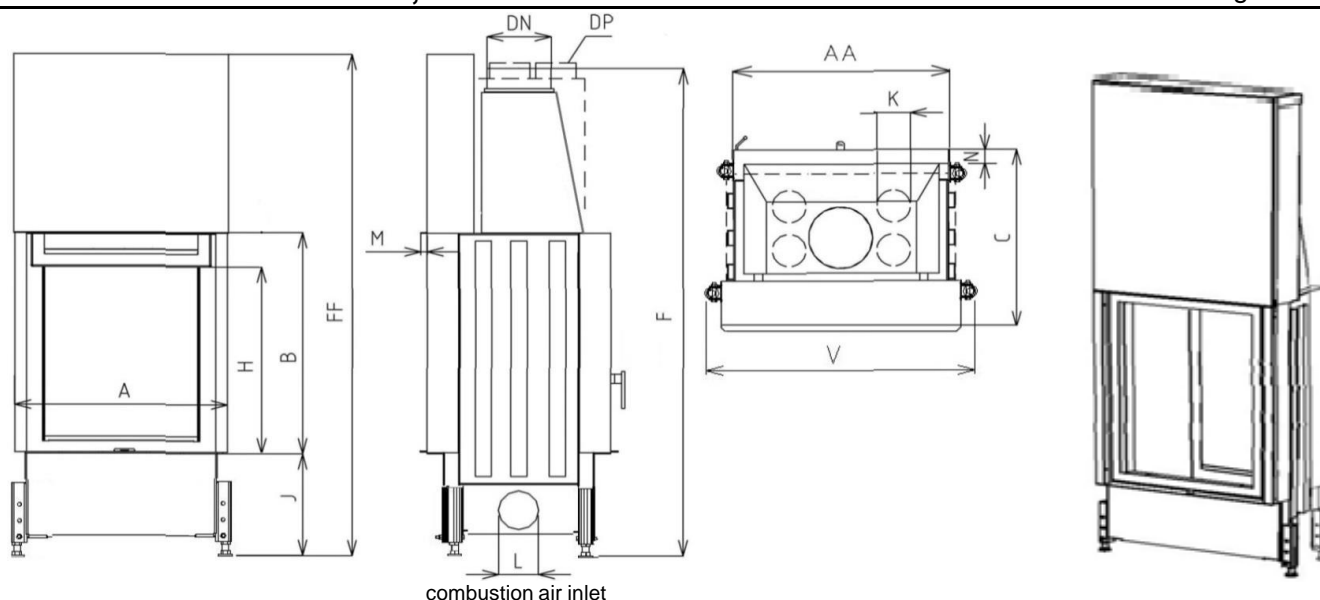
Optional accessories:

Cover frame (KR)
 Glass Reflex (SR)
 Black printed glass (SM)
 External ashtray (VOP)
 Lower hearth (ZO)
 Convectional casing (DP)
 Rear feeding door (DPS, DPSO)
 Vertical heat-storing panel (AZ)
 Lift up door (2xVD)

Test Method: ČSN EN 1322/A2:2007, FprEN16510-1, FprEN16510-2-2

Fireplace complies with the requirements: EN 13229, DIN +, BImSchV-Stufe 2, Commission Regulation (EU) č. 2015/1185 Ecodesign requirements

KOBOK reserves the right to change dimensions and parameters described in these sheets. The current edition can be downloaded from www.KOBOK.sk


Basic design:

Thermodynamic Hearth
 Segment chamotte lining SO
 Glass Classic
 Inox control grip-handle MP2, RP2
 1 x VD, 1 x LD
 Environmentally friendly varnish

Sizes			BYSTRÁ O 55 VD 620/670	BYSTRÁ O 55 VD 620/790
1	A	mm	620	
2	F	mm	1480	1600
3	C	mm	580	
4	DN	Ø mm	180	200
5	B	mm	670	790
6	FF	mm	1750	1870
7	V	mm	730	
8	AA	mm	550	
9	H	mm	455	
10	J	mm	325 + /160/	
11	K	Ø mm	4x125	
12	L	Ø mm	125	
13	M	mm	20	
14	N	mm	50	

Technical parameters			
1	Nominal heat output	kW	11,0
2	Pressure required	Pa	12
3	Average efficiency	%	76,4
4	Average flue gas temperature	°C	274
5	Wood consuption	kg/h	3,4
6	Consumption of combustion air	m3/h	33
7	Emission of CO to 13% O2	%	0,1
8	Flue gas mass flow	g/s	12,1
9	Weight	kg	325
10	Required min. cross section for circulating air - INPUT	cm ²	350
11	Required min. cross section for circulating air - OUTPUT	cm ²	550
12	Three-component insulated chimney - active height 6 m	Ø cm	180
13	Character of building construction with fireplace insert	warm air convection	Yes
		heat storage without conv	No

Optional accessories:

Cover frame (KR)
 Glass Reflex (SR)
 Black printed glass(SM)
 External ashtray (VOP)
 Lower hearth (ZO)
 Convectional casing (DP)
 Rear feeding door (DPS,DPSO)
 Vertical heat-storing panel (AZ)
 Lift up door (2xVD)

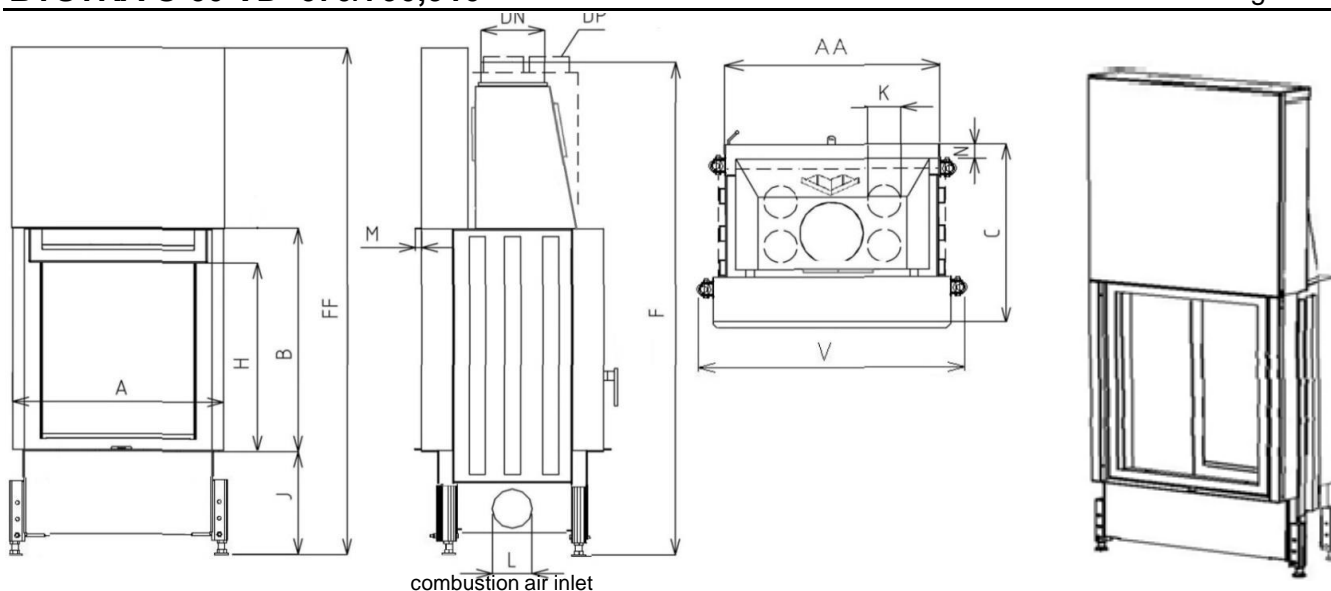
Test Method: ČSN EN 1322/A2:2007, FprEN16510-1, FprEN16510-2-2

Fireplace complies with the requirements: EN 13229, DIN +, BlmSchV-Stufe 2, Commission Regulation (EU) č. 2015/1185 Ecodesign requirements

KOBOK reserves the right to change dimensions and parameters described in these sheets. The current edition can be downloaded from www.KOBOK.sk

BYSTRÁ O 60 VD 670/790,910

Range 60



Sizes		BYSTRÁ O 60 VD 670/790	BYSTRÁ O 60 VD 670/910
1	A	mm	670
2	F	mm	1600 1720
3	C	mm	580
4	DN	Ø mm	200
5	B	mm	790 910
6	FF	mm	1870 1990
7	V	mm	780
8	AA	mm	600
9	H	mm	455
10	J	mm	325 + /160/
11	K	Ø mm	4x125
12	L	Ø mm	125
13	M	mm	20
14	N	mm	50

Basic design:

Thermodynamic Hearth
 Segment chamotte lining SO
 Glass Classic
 Inox control grip-handle MP2, RP2
 1 x VD, 1 x LD
 Environmentally friendly varnish

Technical parameters			
1	Nominal heat output	kW	12,5
2	Pressure required	Pa	12
3	Average efficiency	%	76,8
4	Average flue gas temperature	°C	271
5	Wood consumption	kg/h	3,9
6	Consumption of combustion air	m ³ /h	37,5
7	Emission of CO to 13% O ₂	%	0,1
8	Flue gas mass flow	g/s	13,8
9	Weight	kg	350
10	Required min. cross section for circulating air - INPUT	cm ²	375
11	Required min. cross section for circulating air - OUTPUT	cm ²	625
12	Three-component insulated chimney - active height 7 m	Ø cm	180
13	Character of building construction with fireplace insert	warm air convection	Yes
		heat storage without conv	No

Optional accessories:

Cover frame (KR)
 Glass Reflex (SR)
 Black printed glass (SM)
 External ashtray (VOP)
 Lower hearth (ZO)
 Convectional casing (DP)
 Rear feeding door (DPS, DP50)
 Vertical heat-storing panel (AZ)
 Lift up door (2xVD)

Test Method: ČSN EN 1322/A2:2007, FprEN16510-1, FprEN16510-2-2

Fireplace complies with the requirements: EN 13229, DIN +, BlmSchV-Stufe 2, Commission Regulation (EU) č. 2015/1185 Ecodesign requirements

KOBOK reserves the right to change dimensions and parameters described in these sheets. The current edition can be downloaded from www.KOBOK.sk