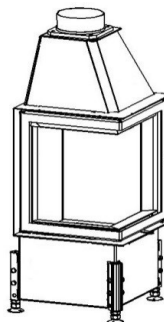


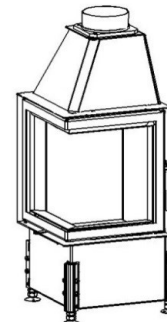
| Sizes |    |      | CHOPOK R90<br>45 LD 450/450-<br>S/450(L/P) | CHOPOK R90<br>45 LD 450/510-<br>S/450(L/P) | CHOPOK R90<br>45 LD 450/570-<br>S/450(L/P) |
|-------|----|------|--|--|--|
| 1     | A  | mm   | 450  |  |  |
| 2     | F  | mm   | 1100                                       | 1160                                       | 1220                                       |
| 3     | C  | mm   | 470  |  |  |
| 4     | DN | Ø mm | 160  |  |  |
| 5     | B  | mm   | 450  | 510  | 570  |
| 6     | V  | mm   | 505  |  |  |
| 7     | R  | mm   | 450  |  |  |
| 8     | AA | mm   |  |  |  |
| 9     | H  | mm   |  |  |  |
| 10    | J  | mm   | 325 + /160/                                |  |  |
| 11    | K  | Ø mm | 2x125                                      |  |  |
| 12    | L  | Ø mm | 100  |  |  |
| 13    | M  | mm   |  |  |  |
| 14    | N  | mm   | 50   |  |  |

**Basic design:**

Thermodynamic Hearth  
Vertical Fireclay VS  
Glass Classic  
Inox control grip-handle RP2  
Environmentally friendly varnish



CHOPOK R90-S/450 P



CHOPOK R90-S/450 L

| Technical parameters |  |                           |      |
|----------------------|--|---------------------------|------|
| 1                    | Nominal heat output                                      | kW                        | 7,0  |
| 2                    | Pressure required  | Pa                        | 12   |
| 3                    | Average efficiency                                       | %                         | 77,3 |
| 4                    | Average flue gas temperature                             | °C                        | 262  |
| 5                    | Wood consumption   | kg/h                      | 2,6  |
| 6                    | Consumption of combustion air                            | m <sup>3</sup> /h         | 21   |
| 7                    | Emission of CO to 13% O <sub>2</sub>                     | %                         | 0,1  |
| 8                    | Flue gas mass flow                                       | g/s                       | 9,1  |
| 9                    | Weight   | kg                        | 150  |
| 10                   | Required min. cross section for circulating air - INPUT  | cm <sup>2</sup>           | 225  |
| 11                   | Required min. cross section for circulating air - OUTPUT | cm <sup>2</sup>           | 350  |
| 12                   | Three-component insulated chimney - active height 5 m    | Ø cm                      | 160  |
| 13                   | Character of building construction with fireplace insert | warm air convection       | Yes  |
|                      |  | heat storage without conv | Yes  |

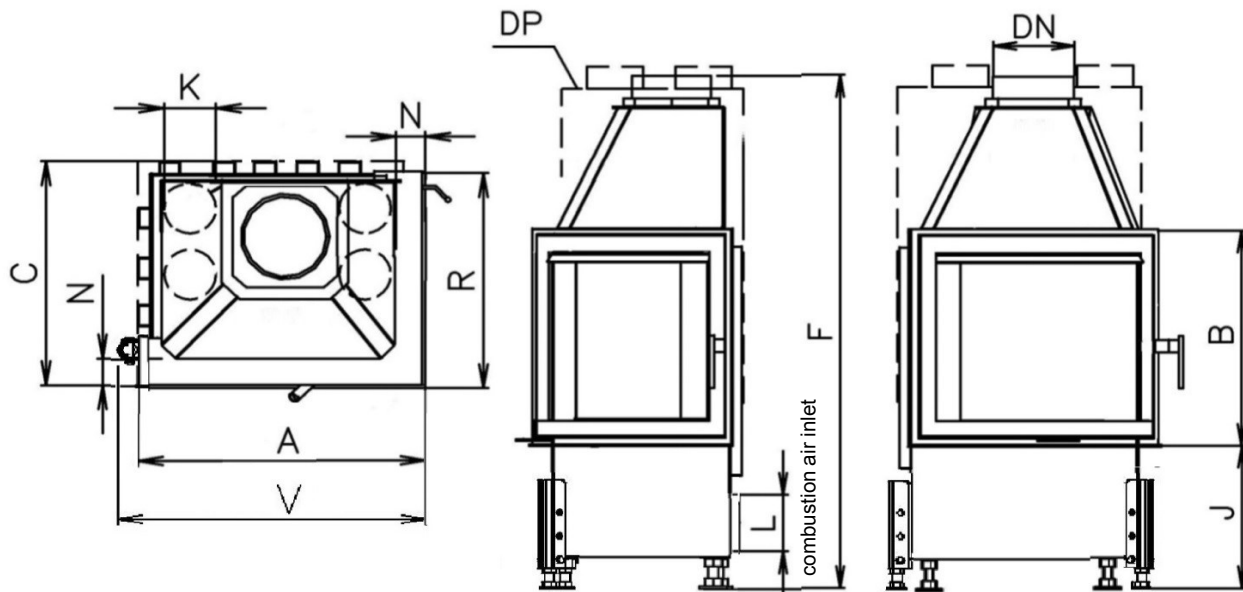
**Optional accessories:**

Cover frame (KR)  
Glass Reflex (SR)  
Black printed glass (SM)  
Black printed glass Reflex (SMR)  
External ashtray (VOP)  
Seg. chamotte lining (SO)  
Lower hearth (ZO)  
Convictional casing (DP)  
Vertical heat-storing panel (AZ)  
Heat accumulation quadrant (APO)  
Divided door (LD2)

Test Method: ČSN EN 1322/A2:2007, FprEN16510-1, FprEN16510-2-2

Fireplace complies with the requirements: EN 13229, DIN +, BImSchV-Stufe 2, Commission Regulation (EU) č. 2015/1185 Ecodesign requirements

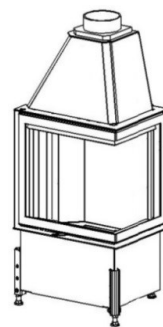
KOBOK reserves the right to change dimensions and parameters described in these sheets. The current edition can be downloaded from www.KOBOK.sk



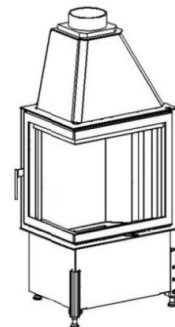
| Sizes |    | CHOPOK R90<br>50 LD 500/450-<br>S/450(L/P) | CHOPOK R90<br>50 LD 500/510-<br>S/450(L/P) | CHOPOK R90<br>50 LD 500/570-<br>S/450(L/P) |      |
|-------|----|--|--|--|------|
| 1     | A  | mm   | 500  |  |      |
| 2     | F  | mm   | 1130                                       | 1190                                       | 1250 |
| 3     | C  | mm   | 470  |  |      |
| 4     | DN | Ø mm                                       | 180  |  |      |
| 5     | B  | mm   | 450  | 510  | 570  |
| 6     | V  | mm   | 555  |  |      |
| 7     | R  | mm   | 450  |  |      |
| 8     | AA | mm   |  |  |      |
| 9     | H  | mm   |  |  |      |
| 10    | J  | mm   | 325 + /160/                                |  |      |
| 11    | K  | Ø mm                                       | 4x125                                      |  |      |
| 12    | L  | Ø mm                                       | 125  |  |      |
| 13    | M  | mm   |  |  |      |
| 14    | N  | mm   | 50   |  |      |

**Basic design:**

Thermodynamic Hearth  
Vertical Fireclay VS  
Glass Classic  
Inox control grip-handle RP2  
Environmentally friendly varnish



CHOPOK R90-S/450 P



CHOPOK R90-S/450 L

| Technical parameters |  |                           |      |
|----------------------|--|---------------------------|------|
| 1                    | Nominal heat output                                      | kW                        | 7,5  |
| 2                    | Pressure required  | Pa                        | 12   |
| 3                    | Average efficiency                                       | %                         | 79,6 |
| 4                    | Average flue gas temperature                             | °C                        | 249  |
| 5                    | Wood consuption  | kg/h                      | 2,7  |
| 6                    | Consumption of combustion air                            | m3/h                      | 23   |
| 7                    | Emission of CO to 13% O2                                 | %                         | 0,1  |
| 8                    | Flue gas mass flow                                       | g/s                       | 8,5  |
| 9                    | Weight   | kg                        | 155  |
| 10                   | Required min. cross section for circulating air - INPUT  | cm <sup>2</sup>           | 225  |
| 11                   | Required min. cross section for circulating air - OUTPUT | cm <sup>2</sup>           | 375  |
| 12                   | Three-component insulated chimney - active height 5 m    | Ø cm                      | 160  |
| 13                   | Character of building construction with fireplace insert | warm air convection       | Yes  |
|                      |  | heat storage without conv | Yes  |

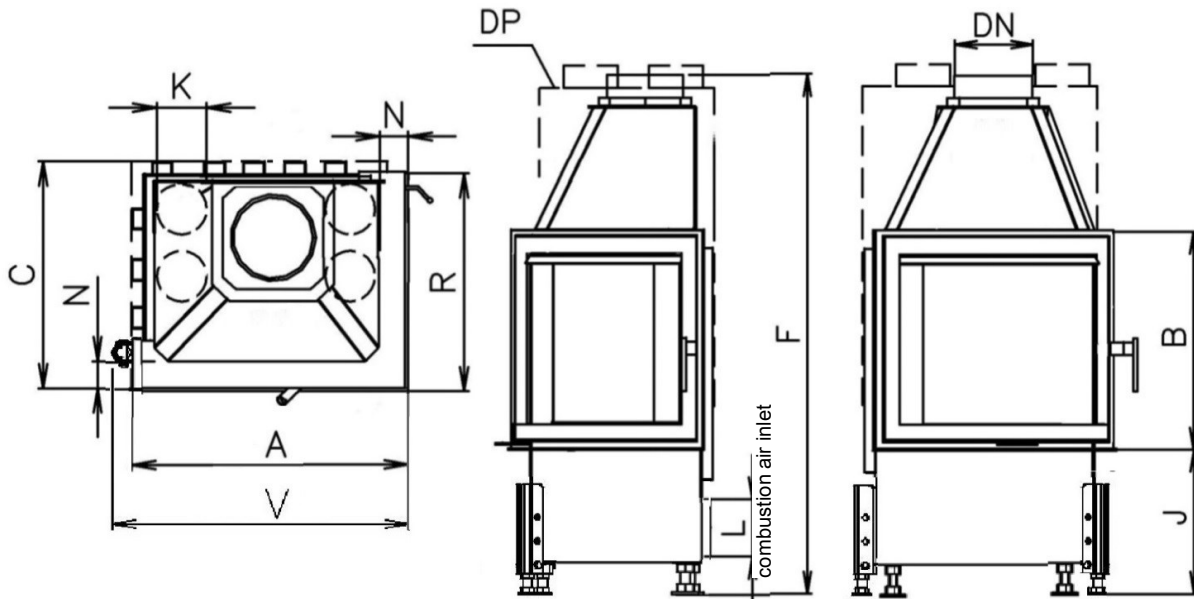
**Optional accessories:**

Cover frame (KR)  
Glass Reflex (SR)  
Black printed glass(SM)  
Black printed glass Reflex (SMR)  
External ashtray (VOP)  
Seg. chamotte lining (SO)  
Lower hearth (ZO)  
Convencional casing (DP)  
Vertical heat-storing panel (AZ)  
Heat accumulation quadrant (APO)  
Divided door (LD2)

Test Method: ČSN EN 1322/A2:2007, FprEN16510-1, FprEN16510-2-2

Fireplace complies with the requirements: EN 13229, DIN +, BlmSchV-Stufe 2, Commission Regulation (EU) č. 2015/1185 Ecodesign requirements

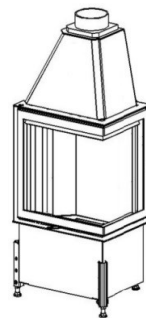
KOBOK reserves the right to change dimensions and parameters described in these sheets. The current edition can be downloaded from www.KOBOK.sk



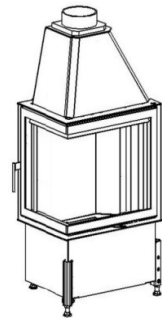
| Sizes |    |      | CHOPOK R90<br>55 LD 550/450-<br>S/450(L/P) | CHOPOK R90<br>55 LD 550/510-<br>S/450(L/P) | CHOPOK R90<br>55 LD 550/570-<br>S/450(L/P) |
|-------|----|------|--|--|--|
| 1     | A  | mm   | 550  |  |  |
| 2     | F  | mm   | 1130                                       | 1190                                       | 1250                                       |
| 3     | C  | mm   | 470  |  |  |
| 4     | DN | Ø mm | 180  |  |  |
| 5     | B  | mm   | 450  | 510  | 570  |
| 6     | V  | mm   | 605  |  |  |
| 7     | R  | mm   | 450  |  |  |
| 8     | AA | mm   |  |  |  |
| 9     | H  | mm   |  |  |  |
| 10    | J  | mm   | 325 + /160/                                |  |  |
| 11    | K  | Ø mm | 4x125                                      |  |  |
| 12    | L  | Ø mm | 125  |  |  |
| 13    | M  | mm   |  |  |  |
| 14    | N  | mm   | 50   |  |  |

**Basic design:**

Thermodynamic Hearth  
 Vertical Fireclay VS  
 Glass Classic  
 Inox control grip-handle RP2  
 Environmentally friendly varnish



CHOPOK R90-S/450 P



CHOPOK R90-S/450 L

| Technical parameters |  |                           |      |
|----------------------|--|---------------------------|------|
| 1                    | Nominal heat output                                      | kW                        | 8,0  |
| 2                    | Pressure required  | Pa                        | 12   |
| 3                    | Average efficiency                                       | %                         | 81,9 |
| 4                    | Average flue gas temperature                             | °C                        | 237  |
| 5                    | Wood consumption   | kg/h                      | 2,9  |
| 6                    | Consumption of combustion air                            | m <sup>3</sup> /h         | 24   |
| 7                    | Emission of CO to 13% O <sub>2</sub>                     | %                         | 0,1  |
| 8                    | Flue gas mass flow                                       | g/s                       | 7,9  |
| 9                    | Weight   | kg                        | 160  |
| 10                   | Required min. cross section for circulating air - INPUT  | cm <sup>2</sup>           | 250  |
| 11                   | Required min. cross section for circulating air - OUTPUT | cm <sup>2</sup>           | 400  |
| 12                   | Three-component insulated chimney - active height 5 m    | Ø cm                      | 160  |
| 13                   | Character of building construction with fireplace insert | warm air convection       | Yes  |
|                      |  | heat storage without conv | Yes  |

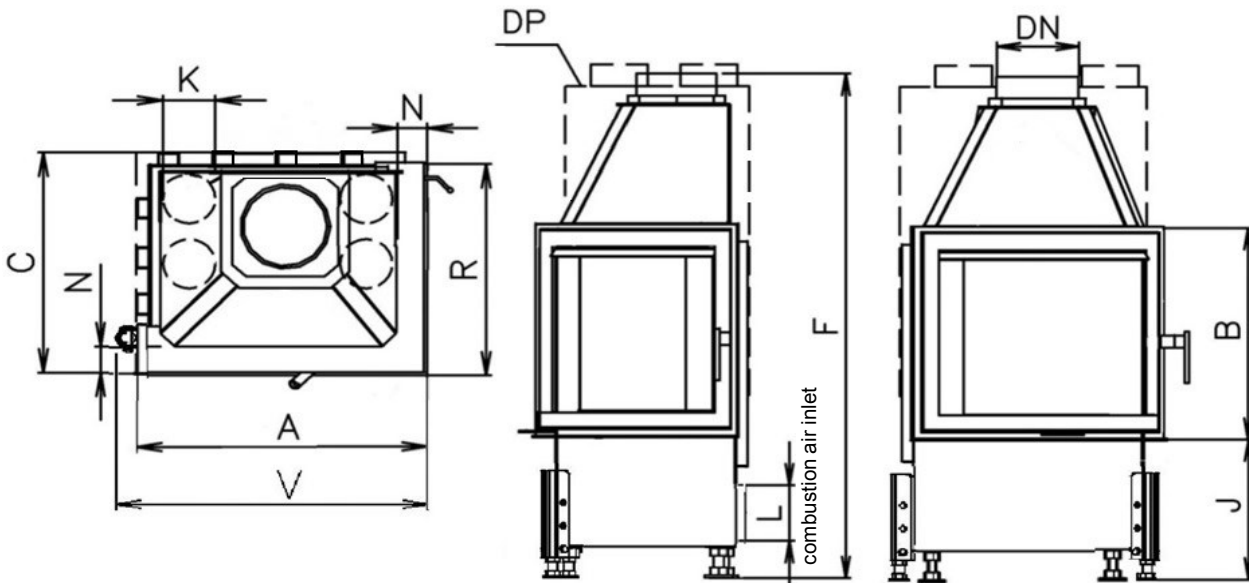
**Optional accessories:**

Cover frame (KR)  
 Glass Reflex (SR)  
 Black printed glass (SM)  
 Black printed glass Reflex (SMR)  
 External ashtray (VOP)  
 Seg. chamotte lining (SO)  
 Lower hearth (ZO)  
 Convectional casing (DP)  
 Vertical heat-storing panel (AZ)  
 Heat accumulation quadrant (APO)  
 Divided door (LD2)

Test Method: ČSN EN 1322/A2:2007, FprEN16510-1, FprEN16510-2-2

Fireplace complies with the requirements: EN 13229, DIN +, BImSchV-Stufe 2, Commission Regulation (EU) č. 2015/1185 Ecodesign requirements

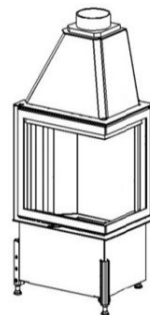
KOBOK reserves the right to change dimensions and parameters described in these sheets. The current edition can be downloaded from www.KOBOK.sk



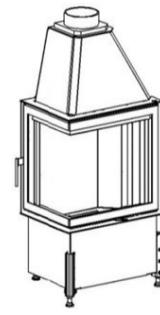
| Sizes |    |      | CHOPOK R90 60<br>LD 600/450-<br>S/450(L/P) | CHOPOK R90 60<br>LD 600/510-<br>S/450(L/P) | CHOPOK R90 60<br>LD 600/570-<br>S/450(L/P) |
|-------|----|------|--|--|--|
| 1     | A  | mm   | 600  |  |  |
| 2     | F  | mm   | 1150                                       | 1210                                       | 1270                                       |
| 3     | C  | mm   | 470  |  |  |
| 4     | DN | Ø mm | 180  |  |  |
| 5     | B  | mm   | 450  | 510  | 570  |
| 6     | V  | mm   | 655  |  |  |
| 7     | R  | mm   | 450  |  |  |
| 8     | AA | mm   |  |  |  |
| 9     | H  | mm   |  |  |  |
| 10    | J  | mm   | 325 + /160/                                |  |  |
| 11    | K  | Ø mm | 4x125                                      |  |  |
| 12    | L  | Ø mm | 125  |  |  |
| 13    | M  | mm   |  |  |  |
| 14    | N  | mm   | 50   |  |  |

**Basic design:**

Thermodynamic Hearth  
Vertical Fireclay VS  
Glass Classic  
Inox control grip-handle RP2  
Environmentally friendly varnish



CHOPOK R90-S/450 P



CHOPOK R90-S/450 L

| Technical parameters |  |                           |      |
|----------------------|--|---------------------------|------|
| 1                    | Nominal heat output                                      | kW                        | 9,0  |
| 2                    | Pressure required  | Pa                        | 12   |
| 3                    | Average efficiency                                       | %                         | 84,3 |
| 4                    | Average flue gas temperature                             | °C                        | 224  |
| 5                    | Wood consumption   | kg/h                      | 3    |
| 6                    | Consumption of combustion air                            | m <sup>3</sup> /h         | 27   |
| 7                    | Emission of CO to 13% O <sub>2</sub>                     | %                         | 0,1  |
| 8                    | Flue gas mass flow                                       | g/s                       | 7,3  |
| 9                    | Weight   | kg                        | 170  |
| 10                   | Required min. cross section for circulating air - INPUT  | cm <sup>2</sup>           | 275  |
| 11                   | Required min. cross section for circulating air - OUTPUT | cm <sup>2</sup>           | 450  |
| 12                   | Three-component insulated chimney - active height 6 m    | Ø cm                      | 160  |
| 13                   | Character of building construction with fireplace insert | warm air convection       | Yes  |
|                      |  | heat storage without conv | Yes  |

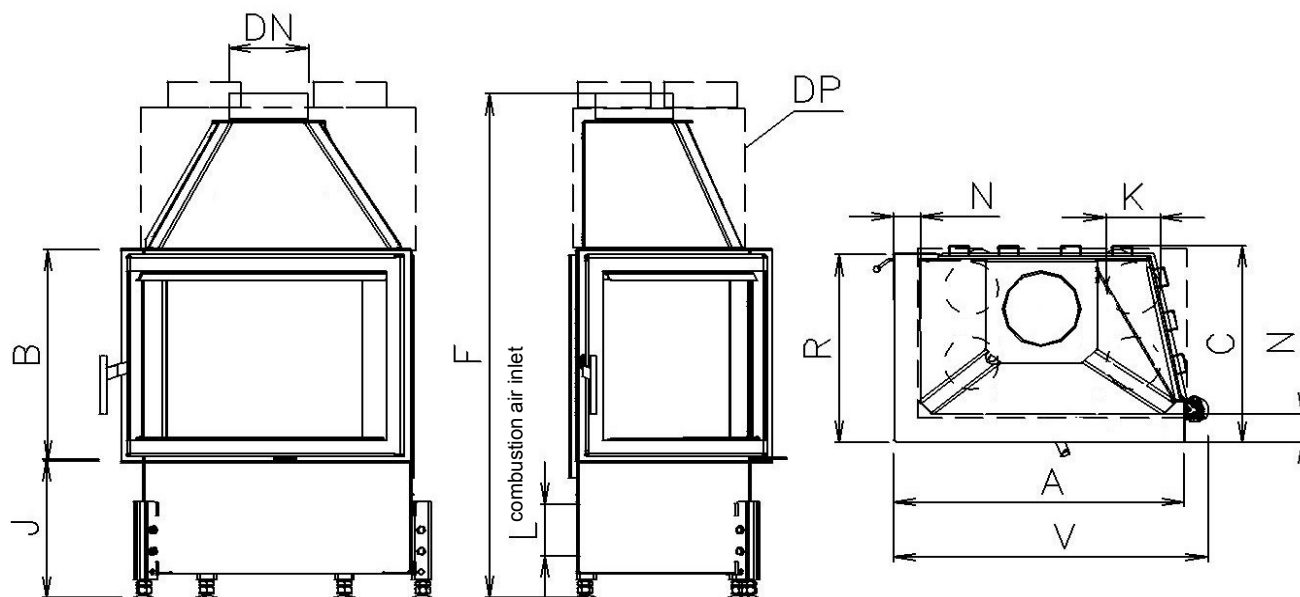
**Optional accessories:**

Cover frame (KR)  
Glass Reflex (SR)  
Black printed glass (SM)  
Black printed glass Reflex (SMR)  
External ashtray (VOP)  
Seg. chamotte lining (SO)  
Lower hearth (ZO)  
Convictional casing (DP)  
Vertical heat-storing panel (AZ)  
Heat accumulation quadrant (APO)  
Divided door (LD2)

Test Method: ČSN EN 1322/A2:2007, FprEN16510-1, FprEN16510-2-2

Fireplace complies with the requirements: EN 13229, DIN +, BlmSchV-Stufe 2, Commission Regulation (EU) č. 2015/1185 Ecodesign requirements

KOBOK reserves the right to change dimensions and parameters described in these sheets. The current edition can be downloaded from www.KOBOK.sk



| Sizes |    | CHOPOK R90 67<br>LD 670/450-<br>S/450(L/P) | CHOPOK R90 67<br>LD 670/510-<br>S/450(L/P) | CHOPOK R90 67<br>LD 670/570-<br>S/450(L/P) |      |
|-------|----|--|--|--|------|
| 1     | A  | mm   | 670  |  |      |
| 2     | F  | mm   | 1150                                       | 1210                                       | 1270 |
| 3     | C  | mm   | 470  |  |      |
| 4     | DN | Ø mm                                       | 180  |  |      |
| 5     | B  | mm   | 450  | 510  | 570  |
| 6     | V  | mm   | 725  |  |      |
| 7     | R  | mm   | 450  |  |      |
| 8     | AA | mm   |  |  |      |
| 9     | H  | mm   |  |  |      |
| 10    | J  | mm   | 325 + /160/                                |  |      |
| 11    | K  | Ø mm                                       | 4x125                                      |  |      |
| 12    | L  | Ø mm                                       | 125  |  |      |
| 13    | M  | mm   |  |  |      |
| 14    | N  | mm   | 50   |  |      |

**Basic design:**

Thermodynamic Hearth  
Vertical Fireclay VS  
Glass Classic  
Inox control grip-handle RP2  
Environmentally friendly varnish



CHOPOK R90-S/450 P



CHOPOK R90-S/450 L

| Technical parameters |  |                           |      |
|----------------------|--|---------------------------|------|
| 1                    | Nominal heat output                                      | kW                        | 10,0 |
| 2                    | Pressure required  | Pa                        | 12   |
| 3                    | Average efficiency                                       | %                         | 82,9 |
| 4                    | Average flue gas temperature                             | °C                        | 233  |
| 5                    | Wood consumption   | kg/h                      | 3,2  |
| 6                    | Consumption of combustion air                            | m <sup>3</sup> /h         | 30   |
| 7                    | Emission of CO to 13% O <sub>2</sub>                     | %                         | 0,1  |
| 8                    | Flue gas mass flow                                       | g/s                       | 8,6  |
| 9                    | Weight   | kg                        | 195  |
| 10                   | Required min. cross section for circulating air - INPUT  | cm <sup>2</sup>           | 300  |
| 11                   | Required min. cross section for circulating air - OUTPUT | cm <sup>2</sup>           | 500  |
| 12                   | Three-component insulated chimney - active height 5 m    | Ø cm                      | 180  |
| 13                   | Character of building construction with fireplace insert | warm air convection       | Yes  |
|                      |  | heat storage without conv | Yes  |

**Optional accessories:**

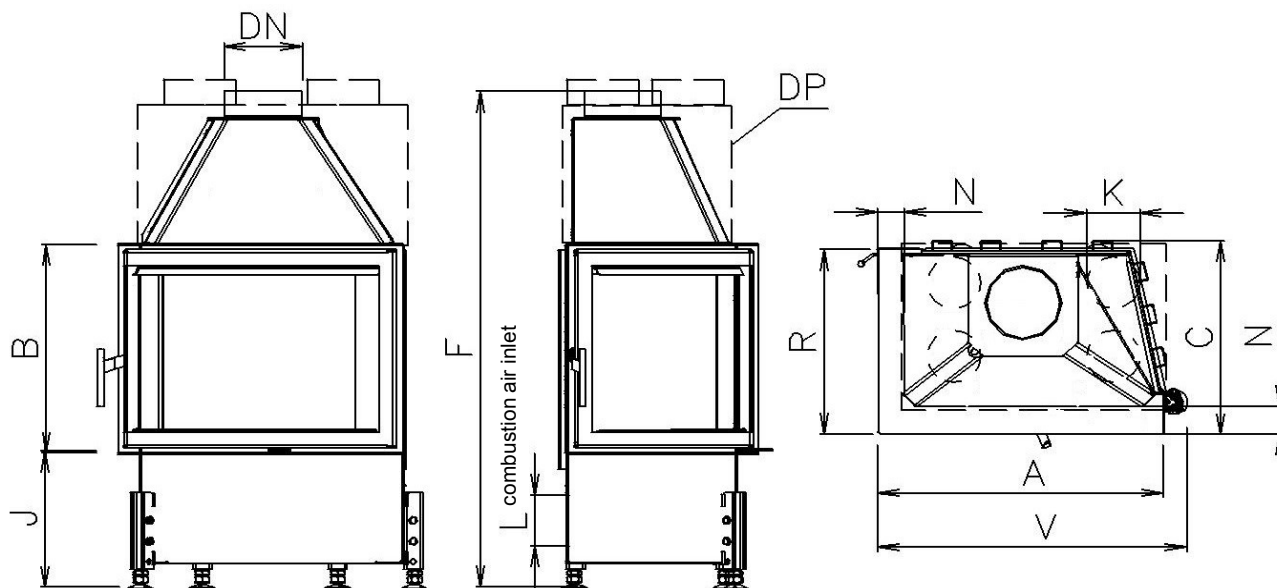
Cover frame (KR)  
Glass Reflex (SR)  
Black printed glass (SM)  
Black printed glass Reflex (SMR)  
External ashtray (VOP)  
Seg. chamotte lining (SO)  
Lower hearth (ZO)  
Convective casing (DP)  
Vertical heat-storing panel (AZ)  
Heat accumulation quadrant (APO)  
Divided door (LD2)

Test Method: ČSN EN 1322/A2:2007, FprEN16510-1, FprEN16510-2-2

Fireplace complies with the requirements: EN 13229, DIN +, BImSchV-Stufe 2, Commission Regulation (EU) č. 2015/1185 Ecodesign requirements

 KOBOK reserves the right to change dimensions and parameters described in these sheets. The current edition can be downloaded from [www.KOBOK.sk](http://www.KOBOK.sk)





| Sizes |    |      | CHOPOK R90<br>73 LD 730/450-<br>S/450(L/P) | CHOPOK R90<br>73 LD 730/510-<br>S/450(L/P) | CHOPOK R90<br>73 LD 730/570-<br>S/450(L/P) |
|-------|----|------|--|--|--|
| 1     | A  | mm   | 730  |  |  |
| 2     | F  | mm   | 1150                                       | 1210                                       | 1270                                       |
| 3     | C  | mm   | 470  |  |  |
| 4     | DN | Ø mm | 180  |  |  |
| 5     | B  | mm   | 450  | 510  | 570  |
| 6     | V  | mm   | 785  |  |  |
| 7     | R  | mm   | 450  |  |  |
| 8     | AA | mm   |  |  |  |
| 9     | H  | mm   |  |  |  |
| 10    | J  | mm   | 325 + /160/                                |  |  |
| 11    | K  | Ø mm | 4x125                                      |  |  |
| 12    | L  | Ø mm | 125  |  |  |
| 13    | M  | mm   |  |  |  |
| 14    | N  | mm   | 50   |  |  |

**Basic design:**

Thermodynamic Hearth  
Vertical Fireclay VS  
Glass Classic  
Inox control grip-handle RP2  
Environmentally friendly varnish



CHOPOK R90-S/450 P



CHOPOK R90-S/450 L

| Technical parameters |  |                           |      |
|----------------------|--|---------------------------|------|
| 1                    | Nominal heat output                                      | kW                        | 10,5 |
| 2                    | Pressure required  | Pa                        | 12   |
| 3                    | Average efficiency                                       | %                         | 81,5 |
| 4                    | Average flue gas temperature                             | °C                        | 243  |
| 5                    | Wood consuption  | kg/h                      | 3,3  |
| 6                    | Consumption of combustion air                            | m3/h                      | 32   |
| 7                    | Emission of CO to 13% O2                                 | %                         | 0,1  |
| 8                    | Flue gas mass flow                                       | g/s                       | 9,9  |
| 9                    | Weight   | kg                        | 205  |
| 10                   | Required min. cross section for circulating air - INPUT  | cm <sup>2</sup>           | 325  |
| 11                   | Required min. cross section for circulating air - OUTPUT | cm <sup>2</sup>           | 525  |
| 12                   | Three-component insulated chimney - active height 5 m    | Ø cm                      | 180  |
| 13                   | Character of building construction with fireplace insert | warm air convection       | Yes  |
|                      |  | heat storage without conv | Yes  |

**Optional accessories:**

Cover frame (KR)  
Glass Reflex (SR)  
Black printed glass(SM)  
Black printed glass Reflex (SMR)  
External ashtray (VOP)  
Seg. chamotte lining (SO)  
Lower hearth (ZO)  
Convencional casing (DP)  
Vertical heat-storing panel (AZ)  
Heat accumulation quadrant (APO)  
Divided door (LD2)

Test Method: ČSN EN 1322/A2:2007, FprEN16510-1, FprEN16510-2-2

Fireplace complies with the requirements: EN 13229, DIN +, BlmSchV-Stufe 2, Commission Regulation (EU) č. 2015/1185 Ecodesign requirements

KOBOK reserves the right to change dimensions and parameters described in these sheets. The current edition can be downloaded from www.KOBOK.sk