

Sizes		CHOPOK 2R90 55 LD 550/450- S/450	CHOPOK 2R90 55 LD 550/510- S/450	CHOPOK 2R90 55 LD 550/570- S/450	
1	A	mm	550		
2	F	mm	1300	1360	1420
3	C	mm	465		
4	DN	Ø mm	180		
5	B	mm	450	510	570
6	FF	mm			
7	R	mm	450		
8	AA	mm			
9	H	mm			
10	J	mm	325 + /160/		
11	K	Ø mm	4x125		
12	L	Ø mm	125		
13	M	mm			
14	N	mm	50		

Basic design:

Thermodynamic Hearth
Vertical Fireclay VS
Glass Classic
Inox control grip-handle RP1A
Environmentally friendly varnish



Technical parameters			
1	Nominal heat output	kW	8,0
2	Pressure required	Pa	12
3	Average efficiency	%	78
4	Average flue gas temperature	°C	250
5	Wood consumption	kg/h	2,9
6	Consumption of combustion air	m ³ /h	24
7	Emission of CO to 13% O ₂	%	0,1
8	Flue gas mass flow	g/s	9,6
9	Weight	kg	165
10	Required min. cross section for circulating air - INPUT	cm ²	250
11	Required min. cross section for circulating air - OUTPUT	cm ²	400
12	Three-component insulated chimney - active height 5 m	Ø cm	160
13	Character of building construction with fireplace insert	warm air convection	Yes
		heat storage without conv	Yes

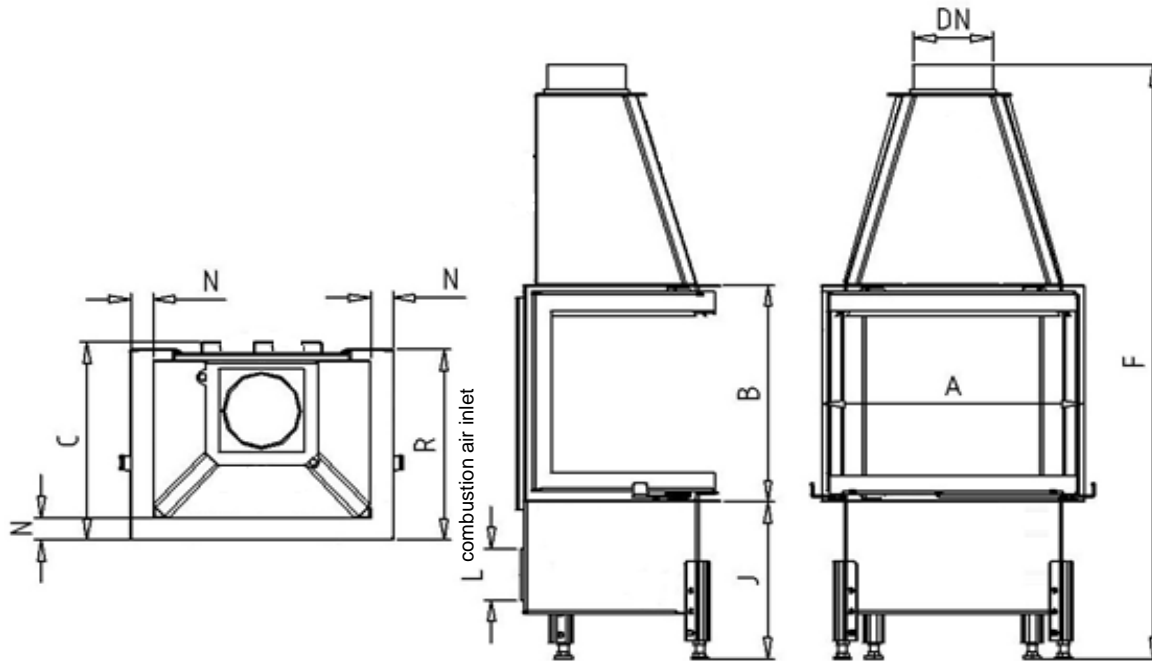
Optional accessories:

Cover frame (KR) - divided SS
Glass Reflex (SR)
Black printed glass (SM)
Black printed glass Reflex (SMR)
External ashtray (VOP)
Seg. chamotte lining (SO)
Vermiculite lining (VO)
Lower hearth (ZO)
Convictional casing (DP)
Vertical heat-storing panel (AZ)

Test Method: ČSN EN 1322/A2:2007, FprEN16510-1, FprEN16510-2-2

Fireplace complies with the requirements: EN 13229, DIN +, BlmSchV-Stufe 2, Commission Regulation (EU) č. 2015/1185 Ecodesign requirements

KOBOK reserves the right to change dimensions and parameters described in these sheets. The current edition can be downloaded from www.KOBOK.sk



Sizes			CHOPOK 2R90 60 LD 600/450- S/450	CHOPOK 2R90 60 LD 600/510- S/450	CHOPOK 2R90 60 LD 600/570- S/450
1	A	mm	600		
2	F	mm	1300	1360	1420
3	C	mm	465		
4	DN	Ø mm	180		
5	B	mm	450	510	570
6	FF	mm			
7	R	mm	450		
8	AA	mm			
9	H	mm			
10	J	mm	325 + /160/		
11	K	Ø mm	4x125		
12	L	Ø mm	125		
13	M	mm			
14	N	mm	50		

Basic design:

Thermodynamic Hearth
 Vertical Fireclay VS
 Glass Classic
 Inox control grip-handle RP1A
 Environmentally friendly varnish



Technical parameters			
1	Nominal heat output	kW	9,0
2	Pressure required	Pa	12
3	Average efficiency	%	77,3
4	Average flue gas temperature	°C	263
5	Wood consumption	kg/h	3
6	Consumption of combustion air	m ³ /h	27
7	Emission of CO to 13% O ₂	%	0,1
8	Flue gas mass flow	g/s	10,3
9	Weight	kg	175
10	Required min. cross section for circulating air - INPUT	cm ²	275
11	Required min. cross section for circulating air - OUTPUT	cm ²	450
12	Three-component insulated chimney - active height 5 m	Ø cm	160
13	Character of building construction with fireplace insert	warm air convection	Yes
		heat storage without conv	Yes

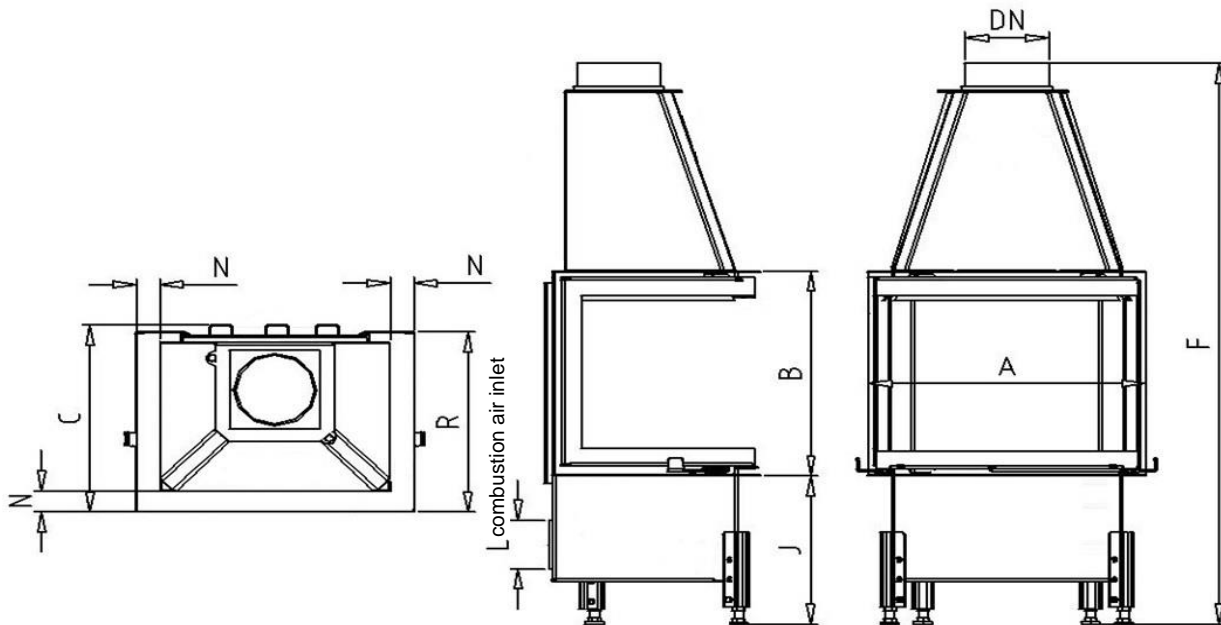
Optional accessories:

Cover frame (KR) - divided SS
 Glass Reflex (SR)
 Black printed glass (SM)
 Black printed glass Reflex (SMR)
 External ashtray (VOP)
 Seg. chamotte lining (SO)
 Vermiculite lining (VO)
 Lower hearth (ZO)
 Convectional casing (DP)
 Vertical heat-storing panel (AZ)

Test Method: ČSN EN 1322/A2:2007, FprEN16510-1, FprEN16510-2-2

Fireplace complies with the requirements: EN 13229, DIN +, BlmSchV-Stufe 2, Commission Regulation (EU) č. 2015/1185/2015 ecodesign requirements

KOBOK reserves the right to change dimensions and parameters described in these sheets. The current edition can be downloaded from www.KOBOK.sk



Sizes			CHOPOK 2R90 67 LD 670/450- S/450	CHOPOK 2R90 67 LD 670/510- S/450	CHOPOK 2R90 67 LD 670/570- S/450
1	A	mm	670		
2	F	mm	1350	1410	1470
3	C	mm	465		
4	DN	Ø mm	180		
5	B	mm	450	510	570
6	FF	mm			
7	R	mm	450		
8	AA	mm			
9	H	mm			
10	J	mm	325 + /160/		
11	K	Ø mm	4x125		
12	L	Ø mm	125		
13	M	mm			
14	N	mm	50		

Basic design:

Thermodynamic Hearth
Vertical Fireclay VS
Glass Classic
Inox control grip-handle RP1A
Environmentally friendly varnish



Technical parameters			
1	Nominal heat output	kW	10,0
2	Pressure required	Pa	12
3	Average efficiency	%	76,5
4	Average flue gas temperature	°C	276
5	Wood consuption	kg/h	3,2
6	Consumption of combustion air	m3/h	30
7	Emission of CO to 13% O2	%	0,1
8	Flue gas mass flow	g/s	11
9	Weight	kg	195
10	Required min. cross section for circulating air - INPUT	cm ²	300
11	Required min. cross section for circulating air - OUTPUT	cm ²	500
12	Three-component insulated chimney - active height 5 m	Ø cm	180
13	Character of building construction with fireplace insert	warm air convection	Yes
		heat storage without conv	Yes

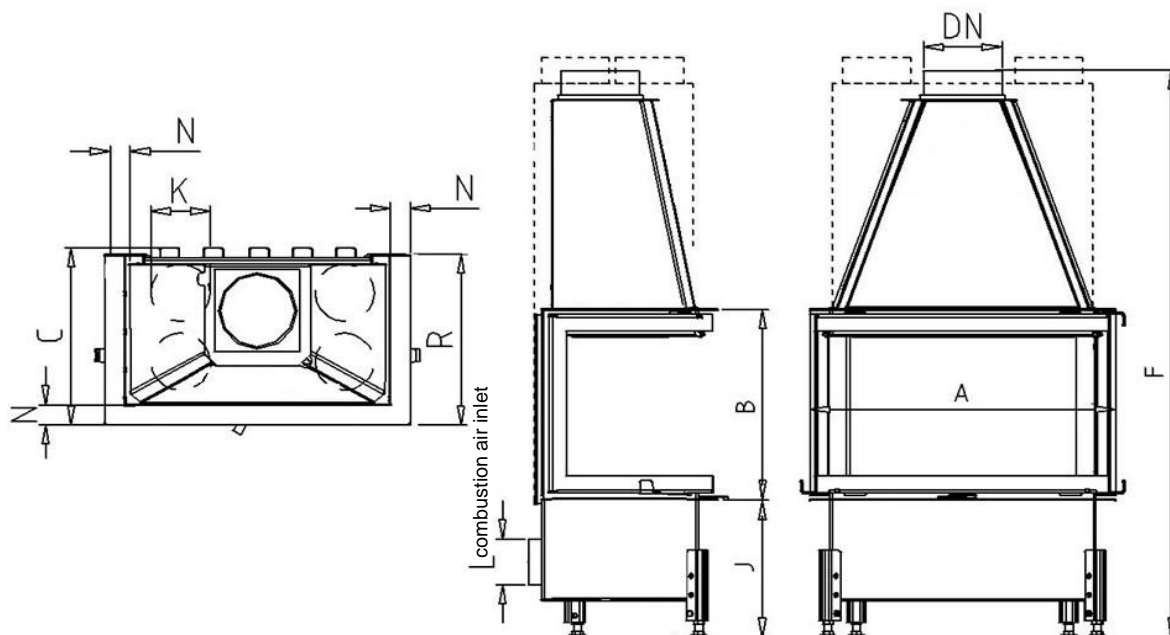
Optional accessories:

Cover frame (KR) - divided SS
Glass Reflex (SR)
Black printed glass(SM)
Black printed glass Reflex (SMR)
External ashtray (VOP)
Seg. chamotte lining (SO)
Vermiculite lining (VO)
Lower hearth (ZO)
Convectonal casing (DP)
Vertical heat-storing panel (AZ)

Test Method: ČSN EN 1322/A2:2007, FprEN16510-1, FprEN16510-2-2

Fireplace complies with the requirements: EN 13229, DIN +, BlmSchV-Stufe 2, Commission Regulation (EU) č. 2015/1185 Ecodesign requirements

KOBOK reserves the right to change dimensions and parameters described in these sheets. The current edition can be downloaded from www.KOBOK.sk



Sizes		CHOPOK 2R90 73 LD 730/450- S/450	CHOPOK 2R90 73 LD 730/510- S/450	CHOPOK 2R90 73 LD 730/570- S/450	
1	A	mm	730		
2	F	mm	1350	1410	1470
3	C	mm	465		
4	DN	Ø mm	180		
5	B	mm	450	510	570
6	FF	mm			
7	R	mm	450		
8	AA	mm			
9	H	mm			
10	J	mm	325 + /160/		
11	K	Ø mm	4x125		
12	L	Ø mm	125		
13	M	mm			
14	N	mm	50		

Basic design:

Thermodynamic Hearth
 Vertical Fireclay VS
 Glass Classic
 Inox control grip-handle RP1A
 Enviromentally friendly varnish



Technical parameters			
1	Nominal heat output	kW	10,5
2	Pressure required	Pa	12
3	Average efficiency	%	77
4	Average flue gas temperature	°C	267
5	Wood consumption	kg/h	3,3
6	Consumption of combustion air	m ³ /h	31,5
7	Emission of CO to 13% O ₂	%	0,1
8	Flue gas mass flow	g/s	11,8
9	Weight	kg	210
10	Required min. cross section for circulating air - INPUT	cm ²	325
11	Required min. cross section for circulating air - OUTPUT	cm ²	525
12	Three-component insulated chimney - active height 5 m	Ø cm	180
13	Character of building construction with fireplace insert	warm air convection	Yes
		heat storage without conv	Yes

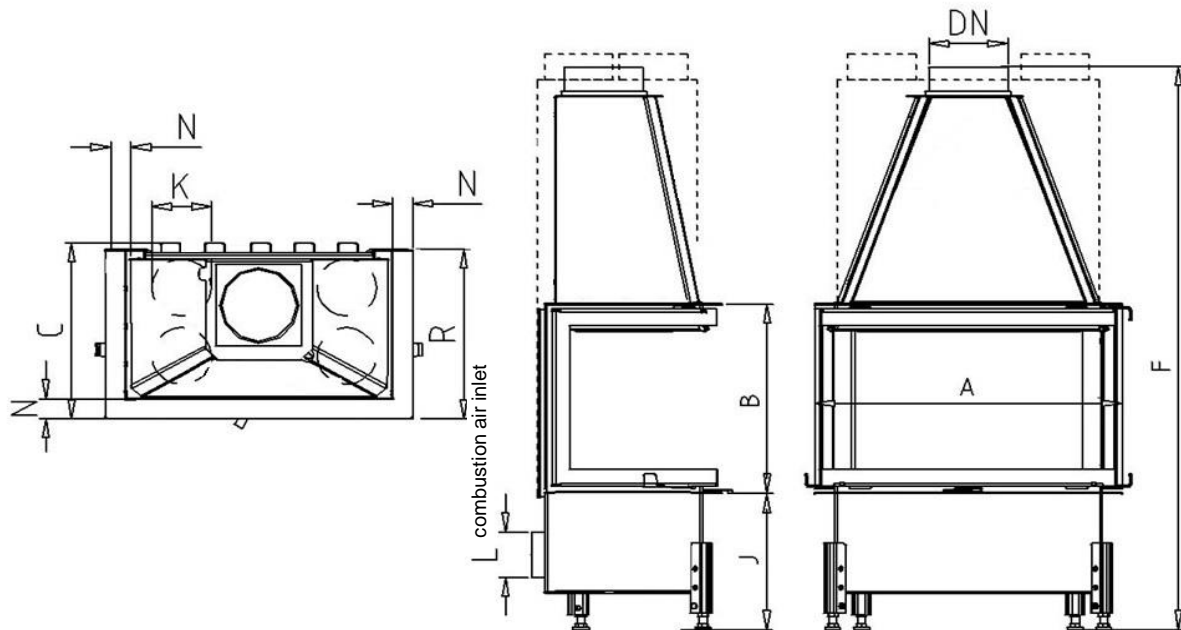
Optional accessories:

Cover frame (KR) - divided SS
 Glass Reflex (SR)
 Black printed glass(SM)
 Black printed glass Reflex (SMR)
 External ashtray (VOP)
 Seg. chamotte lining (SO)
 Vermiculite lining (VO)
 Lower hearth (ZO)
 Convectional casing (DP)
 Vertical heat-storing panel (AZ)

Test Method: ČSN EN 1322/A2:2007, FprEN16510-1, FprEN16510-2-2

Fireplace complies with the requirements: EN 13229, DIN +, BImSchV-Stufe 2, Commission Regulation (EU) č. 2015/1185 Ecodesign requirements

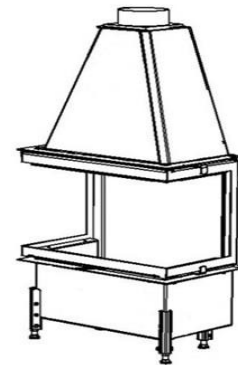
KOBOK reserves the right to change dimensions and parameters described in these sheets. The current edition can be downloaded from www.KOBOK.sk



Sizes			CHOPOK 2R90 78 LD 780/450- S/450	CHOPOK 2R90 78 LD 780/510- S/450	CHOPOK 2R90 78 LD 780/570- S/450
1	A	mm		780	
2	F	mm	1350	1410	1470
3	C	mm		465	
4	DN	Ø mm		200	
5	B	mm	450	510	570
6	FF	mm			
7	R	mm		450	
8	AA	mm			
9	H	mm			
10	J	mm		325 + /160/	
11	K	Ø mm		4x125	
12	L	Ø mm		125	
13	M	mm			
14	N	mm		50	

Basic design:

Thermodynamic Hearth
Vertical Fireclay VS
Glass Classic
Inox control grip-handle RP1A
Environmentally friendly varnish



Technical parameters			
1	Nominal heat output	kW	11,0
2	Pressure required	Pa	12
3	Average efficiency	%	77,4
4	Average flue gas temperature	°C	259
5	Wood consumption	kg/h	3,5
6	Consumption of combustion air	m ³ /h	33
7	Emission of CO to 13% O ₂	%	0,1
8	Flue gas mass flow	g/s	12,7
9	Weight	kg	225
10	Required min. cross section for circulating air - INPUT	cm ²	350
11	Required min. cross section for circulating air - OUTPUT	cm ²	550
12	Three-component insulated chimney - active height 6 m	Ø cm	180
13	Character of building construction with fireplace insert	warm air convection	Yes
		heat storage without conv	Yes

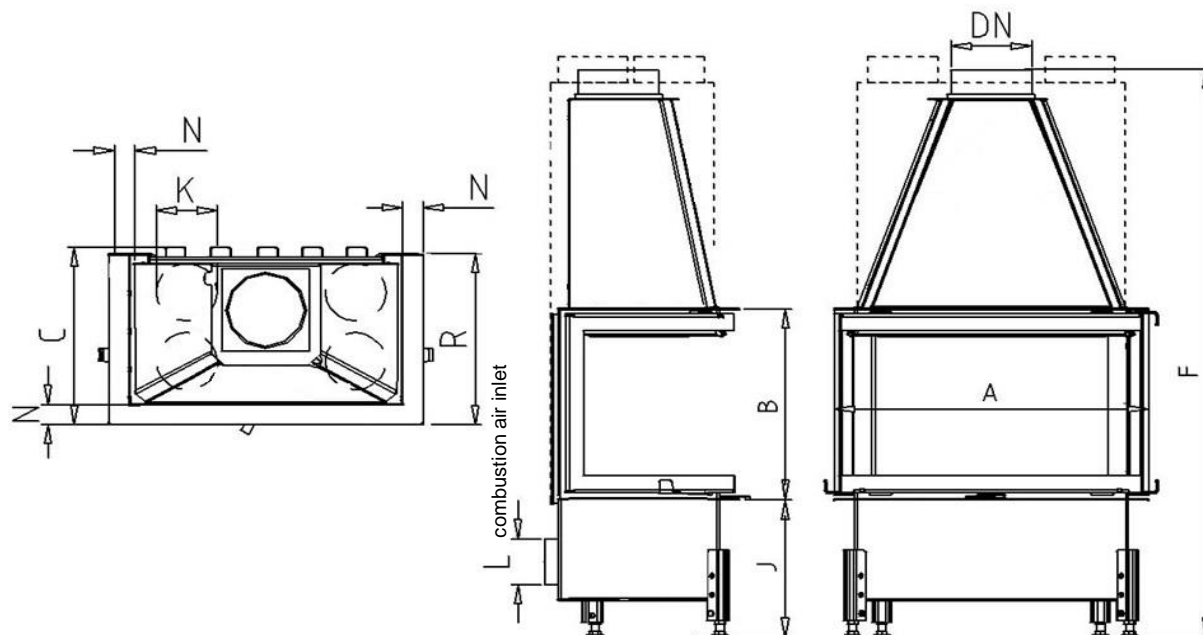
Optional accessories:

Cover frame (KR) - divided SS
Glass Reflex (SR)
Black printed glass (SM)
Black printed glass Reflex (SMR)
External ashtray (VOP)
Seg. chamotte lining (SO)
Vermiculite lining (VO)
Lower hearth (ZO)
Convictional casing (DP)
Vertical heat-storing panel (AZ)

Test Method: ČSN EN 1322/A2:2007, FprEN16510-1, FprEN16510-2-2

Fireplace complies with the requirements: EN 13229, DIN +, BImSchV-Stufe 2, Commission Regulation (EU) č. 2015/1185/EC design requirements

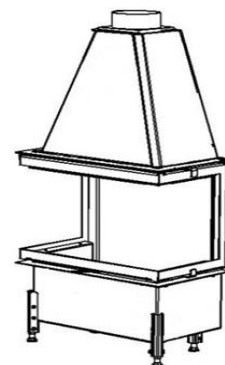
KOBOK reserves the right to change dimensions and parameters described in these sheets. The current edition can be downloaded from www.KOBOK.sk



Sizes		CHOPOK 2R90 84 LD 840/450- S/450	CHOPOK 2R90 84 LD 840/510- S/450	CHOPOK 2R90 84 LD 840/570- S/450	
1	A	mm	840		
2	F	mm	1350	1410	1470
3	C	mm	465		
4	DN	Ø mm	200		
5	B	mm	450	510	570
6	FF	mm			
7	R	mm	450		
8	AA	mm			
9	H	mm			
10	J	mm	325 + /160/		
11	K	Ø mm	4x125		
12	L	Ø mm	125		
13	M	mm			
14	N	mm	50		

Basic design:

Thermodynamic Hearth
 Vertical Fireclay VS
 Glass Classic
 Inox control grip-handle RP1A
 Environmentally friendly varnish



Technical parameters			
1	Nominal heat output	kW	11,0
2	Pressure required	Pa	12
3	Average efficiency	%	76,7
4	Average flue gas temperature	°C	252
5	Wood consumption	kg/h	3,5
6	Consumption of combustion air	m ³ /h	33
7	Emission of CO to 13% O ₂	%	0,1
8	Flue gas mass flow	g/s	13,0
9	Weight	kg	235
10	Required min. cross section for circulating air - INPUT	cm ²	350
11	Required min. cross section for circulating air - OUTPUT	cm ²	550
12	Three-component insulated chimney - active height 6 m	Ø cm	180
13	Character of building construction with fireplace insert	warm air convection	Yes
		heat storage without conv	Yes

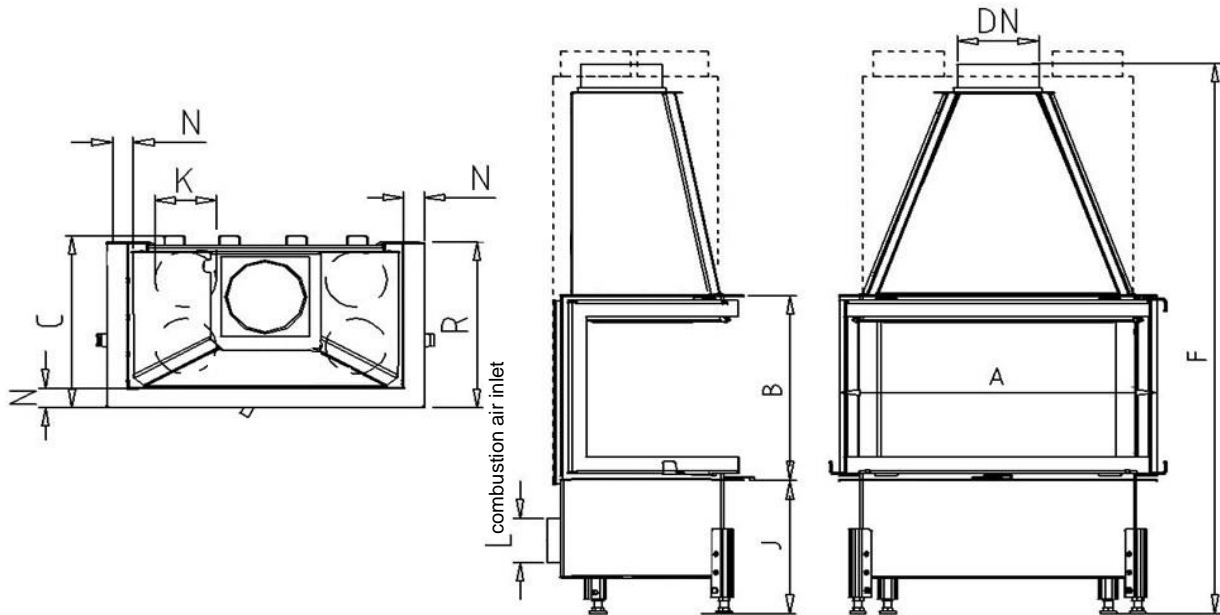
Optional accessories:

Cover frame (KR) - divided SS
 Glass Reflex (SR)
 Black printed glass (SM)
 Black printed glass Reflex (SMR)
 External ashtray (VOP)
 Seg. chamotte lining (SO)
 Vermiculite lining (VO)
 Lower hearth (ZO)
 Convectional casing (DP)
 Vertical heat-storing panel (AZ)

Test Method: ČSN EN 1322/A2:2007, FprEN16510-1, FprEN16510-2-2

Fireplace complies with the requirements: EN 13229, DIN +, BlmSchV-Stufe 2, Commission Regulation (EU) č. 2015/1185 Ecodesign requirements

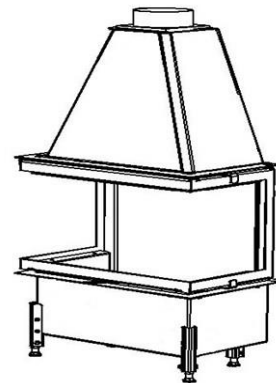
KOBOK reserves the right to change dimensions and parameters described in these sheets. The current edition can be downloaded from www.KOBOK.sk



Sizes			CHOPOK 2R90 90 LD 900/450- S/450	CHOPOK 2R90 90 LD 900/510- S/450	CHOPOK 2R90 90 LD 900/570- S/450
1	A	mm		900	
2	F	mm	1350	1410	1470
3	C	mm		465	
4	DN	Ø mm		200	
5	B	mm	450	510	570
6	FF	mm			
7	R	mm		450	
8	AA	mm			
9	H	mm			
10	J	mm		325 + /160/	
11	K	Ø mm		4x125	
12	L	Ø mm		125	
13	M	mm			
14	N	mm		50	

Basic design:

Thermodynamic Hearth
Vertical Fireclay VS
Glass Classic
Inox control grip-handle RP1A
Environmentally friendly varnish



Technical parameters			
1	Nominal heat output	kW	12,0
2	Pressure required	Pa	12
3	Average efficiency	%	77,9
4	Average flue gas temperature	°C	250
5	Wood consumption	kg/h	3,9
6	Consumption of combustion air	m ³ /h	36
7	Emission of CO to 13% O ₂	%	0,1
8	Flue gas mass flow	g/s	13,5
9	Weight	kg	245
10	Required min. cross section for circulating air - INPUT	cm ²	375
11	Required min. cross section for circulating air - OUTPUT	cm ²	600
12	Three-component insulated chimney - active height 5 m	Ø cm	200
13	Character of building construction with fireplace insert	warm air convection	Yes
		heat storage without conv	Yes

Optional accessories:

Cover frame (KR) - divided SS
Glass Reflex (SR)
Black printed glass (SM)
Black printed glass Reflex (SMR)
External ashtray (VOP)
Seg. chamotte lining (SO)
Vermiculite lining (VO)
Lower hearth (ZO)
Convictional casing (DP)
Vertical heat-storing panel (AZ)

Test Method: ČSN EN 1322/A2:2007, FprEN16510-1, FprEN16510-2-2

Fireplace complies with the requirements: EN 13229, DIN +, BImSchV-Stufe 2, Commission Regulation (EU) č. 2015/1185 Ecodesign requirements

KOBOK reserves the right to change dimensions and parameters described in these sheets. The current edition can be downloaded from www.KOBOK.sk