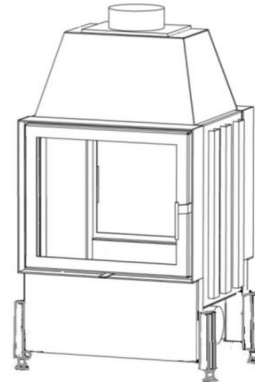


Sizes			CHOPOK O 55 LD 550/450	CHOPOK O 55 LD 550/510	CHOPOK O 55 LD 550/570
1	A	mm	550		
2	F	mm	1120	1180	1240
3	C	mm	570		
4	DN	Ø mm	180		
5	B	mm	450	510	570
6	V	mm	660		
7	R	mm			
8	AA	mm			
9	H	mm			
10	J	mm	325 + /160/		
11	K	Ø mm	4x125		
12	L	Ø mm	125		
13	M	mm			
14	N	mm	50		

**Basic design:**

Thermodynamic Hearth  
 Vertical Fireclay VS  
 Glass Classic  
 Inox control grip-handle 2xRP2  
 Enviromentally friendly varnish



Technical parameters			
1	Nominal heat output	kW	8,0
2	Pressure required	Pa	12
3	Average efficiency	%	76
4	Average flue gas temperature	°C	253
5	Wood consupcion	kg/h	2,9
6	Consumption of combustion air	m3/h	24
7	Emission of CO to 13% O2	%	0,1
8	Flue gas mass flow	g/s	9,8
9	Weight	kg	205
10	Required min. cross section for circulating air - INPUT	cm <sup>2</sup>	250
11	Required min. cross section for circulating air - OUTPUT	cm <sup>2</sup>	400
12	Three-component insulated chimney - active height 5 m	Ø cm	160
13	Character of building construction with fireplace insert	warm air convection	Yes
		heat storage without conv	Yes

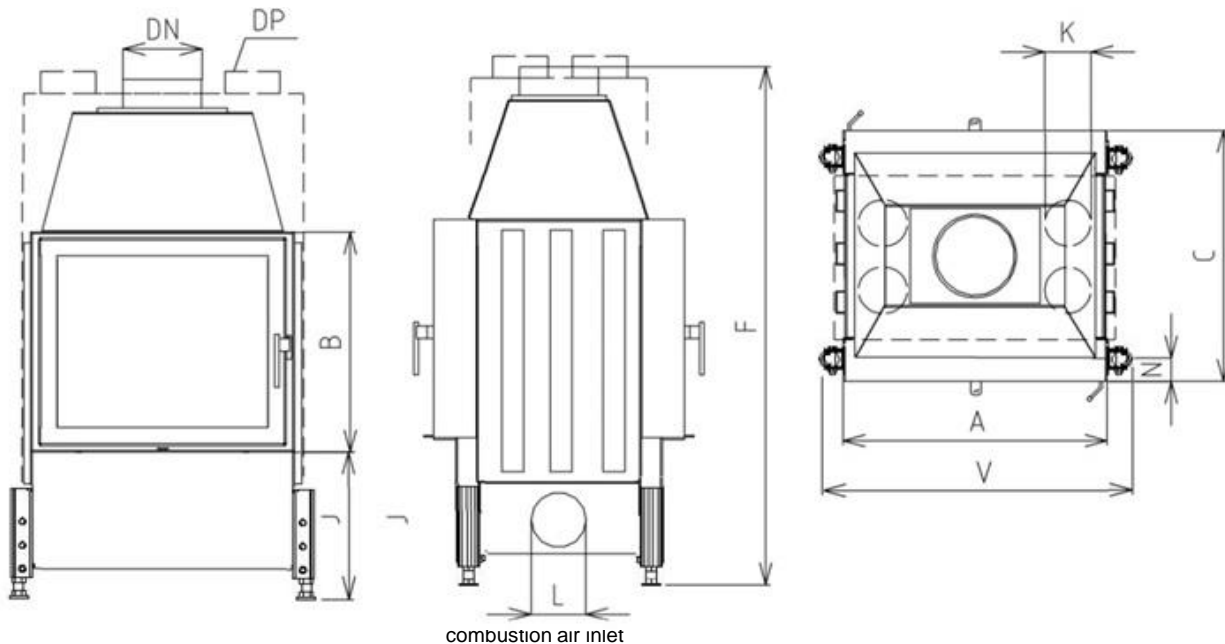
**Optional accessories:**

Cover frame (KR)  
 Glass Reflex (SR)  
 Black printed glass (SM)  
 Black printed glass Reflex (SMR)  
 External ashtray (VOP)  
 Seg. chamotte lining (SO)  
 Lower hearth (ZO)  
 Convectonal casing (DP)  
 Rear feeding door (DPS,DPSO)  
 Vertical heat-storing panel (AZ)  
 Heat accumulation quadrant (APO)

Test Method: ČSN EN 1322/A2:2007, FprEN16510-1, FprEN16510-2-2

Fireplace complies with the requirements: EN 13229, DIN +, BImSchV-Stufe 2, Commission Regulation (EU) č. 2015/1185 Ecodesign requirements

KOBOK reserves the right to change dimensions and parameters described in these sheets. The current edition can be downloaded from www.KOBOK.sk



Sizes		CHOPOK O 60 LD 600/450	CHOPOK O 60 LD 600/510	CHOPOK O 60 LD 600/570	
1	A	mm	600		
2	F	mm	1120	1180	1240
3	C	mm	570		
4	DN	Ø mm	180		
5	B	mm	450	510	570
6	V	mm	710		
7	R	mm			
8	AA	mm			
9	H	mm			
10	J	mm	325 + /160/		
11	K	Ø mm	4x125		
12	L	Ø mm	125		
13	M	mm			
14	N	mm	50		

**Basic design:**

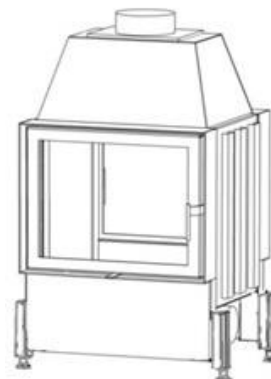
Thermodynamic Hearth

Vertical Fireclay VS

Glass Classic

Inox control grip-handle 2xRP2

Environmentally friendly varnish



Technical parameters			
1	Nominal heat output	kW	9,0
2	Pressure required	Pa	12
3	Average efficiency	%	77
4	Average flue gas temperature	°C	257
5	Wood consumption	kg/h	3
6	Consumption of combustion air	m <sup>3</sup> /h	27
7	Emission of CO to 13% O <sub>2</sub>	%	0,1
8	Flue gas mass flow	g/s	10
9	Weight	kg	220
10	Required min. cross section for circulating air - INPUT	cm <sup>2</sup>	275
11	Required min. cross section for circulating air - OUTPUT	cm <sup>2</sup>	450
12	Three-component insulated chimney - active height 5 m	Ø cm	160
13	Character of building construction with fireplace insert	warm air convection	Yes
		heat storage without conv	Yes

**Optional accessories:**

Cover frame (KR)

Glass Reflex (SR)

Black printed glass(SM)

Black printed glass Reflex (SMR)

External ashtray (VOP)

Seg. chamotte lining (SO)

Lower hearth (ZO)

Convectional casing (DP)

Rear feeding door (DPS,DPSO)

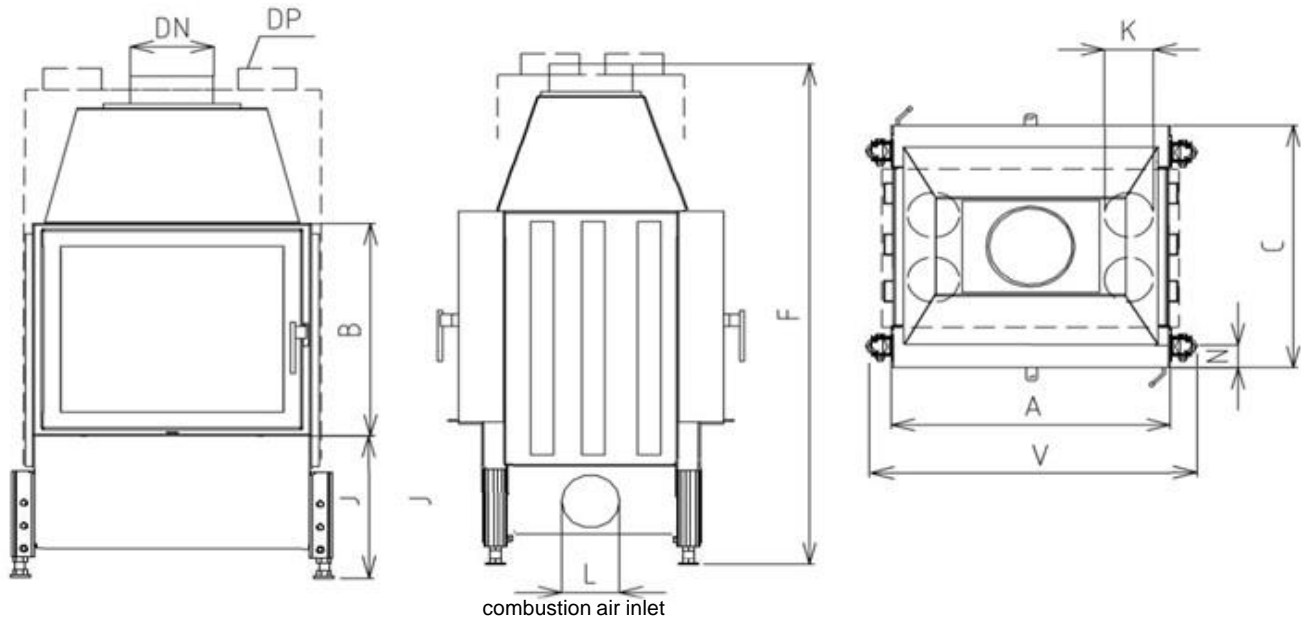
Vertical heat-storing panel (AZ)

Heat accumulation quadrant (APO)

Test Method: ČSN EN 1322/A2:2007, FprEN16510-1, FprEN16510-2-2

Fireplace complies with the requirements: EN 13229, DIN +, BlmSchV-Stufe 2, Commission Regulation (EU) č. 2015/1185 Ecodesign requirements

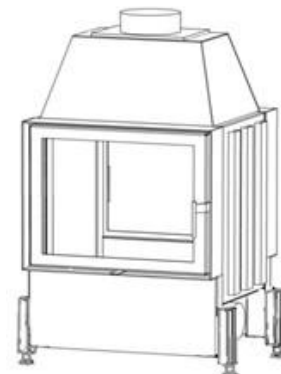
 KOBOK reserves the right to change dimensions and parameters described in these sheets. The current edition can be downloaded from [www.KOBOK.sk](http://www.KOBOK.sk)



Sizes		CHOPOK O 67 LD 670/450	CHOPOK O 67 LD 670/510	CHOPOK O 67 LD 670/570	
1	A	mm	670		
2	F	mm	1120	1180	1240
3	C	mm	570		
4	DN	Ø mm	180		
5	B	mm	450	510	570
6	V	mm	780		
7	R	mm			
8	AA	mm			
9	H	mm			
10	J	mm	325 + /160/		
11	K	Ø mm	4x125		
12	L	Ø mm	125		
13	M	mm			
14	N	mm	50		

**Basic design:**

Thermodynamic Hearth  
 Vertical Fireclay VS  
 Glass Classic  
 Inox control grip-handle 2xRP2  
 Enviromentally friendly varnish



Technical parameters			
1	Nominal heat output	kW	10,0
2	Pressure required	Pa	12
3	Average efficiency	%	77,1
4	Average flue gas temperature	°C	260
5	Wood consuption	kg/h	3,2
6	Consumption of combustion air	m3/h	30
7	Emission of CO to 13% O2	%	0,1
8	Flue gas mass flow	g/s	10,6
9	Weight	kg	235
10	Required min. cross section for circulating air - INPUT	cm <sup>2</sup>	300
11	Required min. cross section for circulating air - OUTPUT	cm <sup>2</sup>	500
12	Three-component insulated chimney - active height 5 m	Ø cm	180
13	Character of building construction with fireplace insert	warm air convection	Yes
		heat storage without conv	Yes

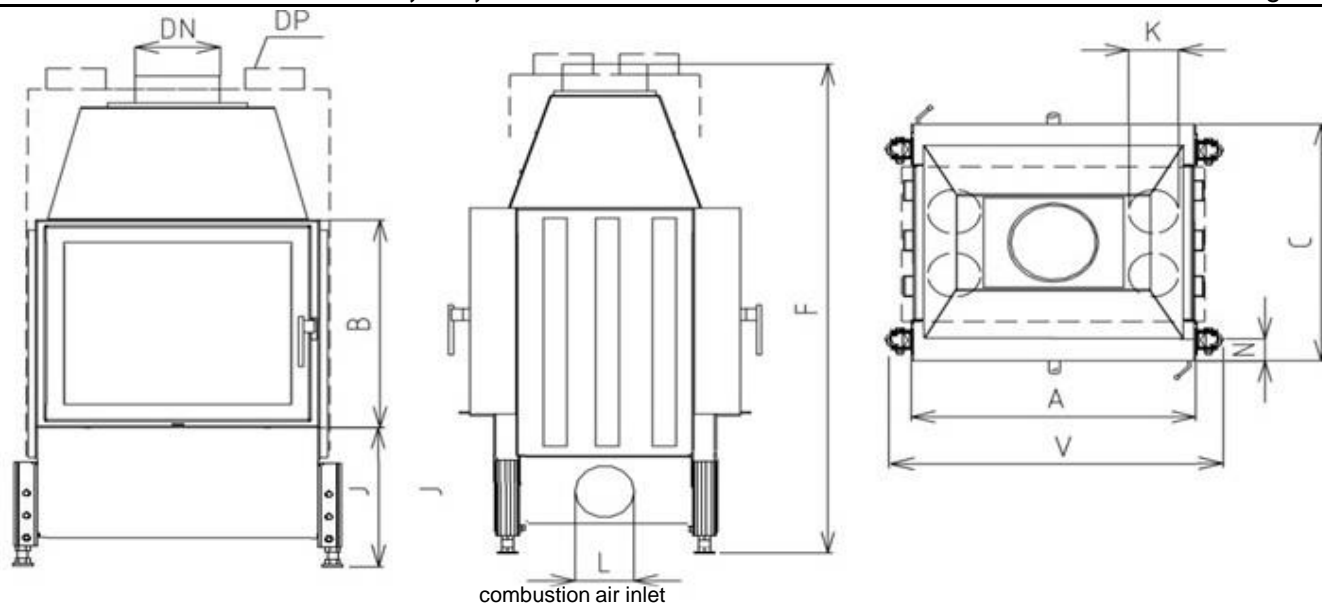
**Optional accessories:**

Cover frame (KR)  
 Glass Reflex (SR)  
 Black printed glass(SM)  
 Black printed glass Reflex (SMR)  
 External ashtray (VOP)  
 Seg. chamotte lining (SO)  
 Lower hearth (ZO)  
 Convectional casing (DP)  
 Rear feeding door (DPS,DPSO)  
 Vertical heat-storing panel (AZ)  
 Heat accumulation quadrant (APO)

Test Method: ČSN EN 1322/A2:2007, FprEN16510-1, FprEN16510-2-2

Fireplace complies with the requirements: EN 13229, DIN +, BlmSchV-Stufe 2, Commission Regulation (EU) č. 2015/1185 Ecodesign requirements

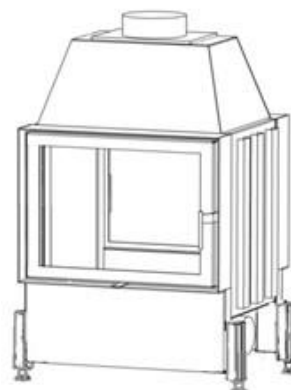
KOBOK reserves the right to change dimensions and parameters described in these sheets. The current edition can be downloaded from www.KOBOK.sk



Sizes			CHOPOK O 73 LD 730/450	CHOPOK O 73 LD 730/510	CHOPOK O 73 LD 730/570
1	A	mm	730		
2	F	mm	1120	1180	1240
3	C	mm	570		
4	DN	Ø mm	180		
5	B	mm	450	510	570
6	V	mm	840		
7	R	mm			
8	AA	mm			
9	H	mm			
10	J	mm	325 + /160/		
11	K	Ø mm	4x125		
12	L	Ø mm	125		
13	M	mm			
14	N	mm	50		

**Basic design:**

Thermodynamic Hearth  
Vertical Fireclay VS  
Glass Classic  
Inox control grip-handle 2xRP2  
Environmentally friendly varnish



Technical parameters			
1	Nominal heat output	kW	10,5
2	Pressure required	Pa	12
3	Average efficiency	%	77,6
4	Average flue gas temperature	°C	264
5	Wood consumption	kg/h	3,3
6	Consumption of combustion air	m <sup>3</sup> /h	32
7	Emission of CO to 13% O <sub>2</sub>	%	0,1
8	Flue gas mass flow	g/s	11,1
9	Weight	kg	250
10	Required min. cross section for circulating air - INPUT	cm <sup>2</sup>	325
11	Required min. cross section for circulating air - OUTPUT	cm <sup>2</sup>	525
12	Three-component insulated chimney - active height 5 m	Ø cm	180
13	Character of building construction with fireplace insert	warm air convection	Yes
		heat storage without conv	Yes

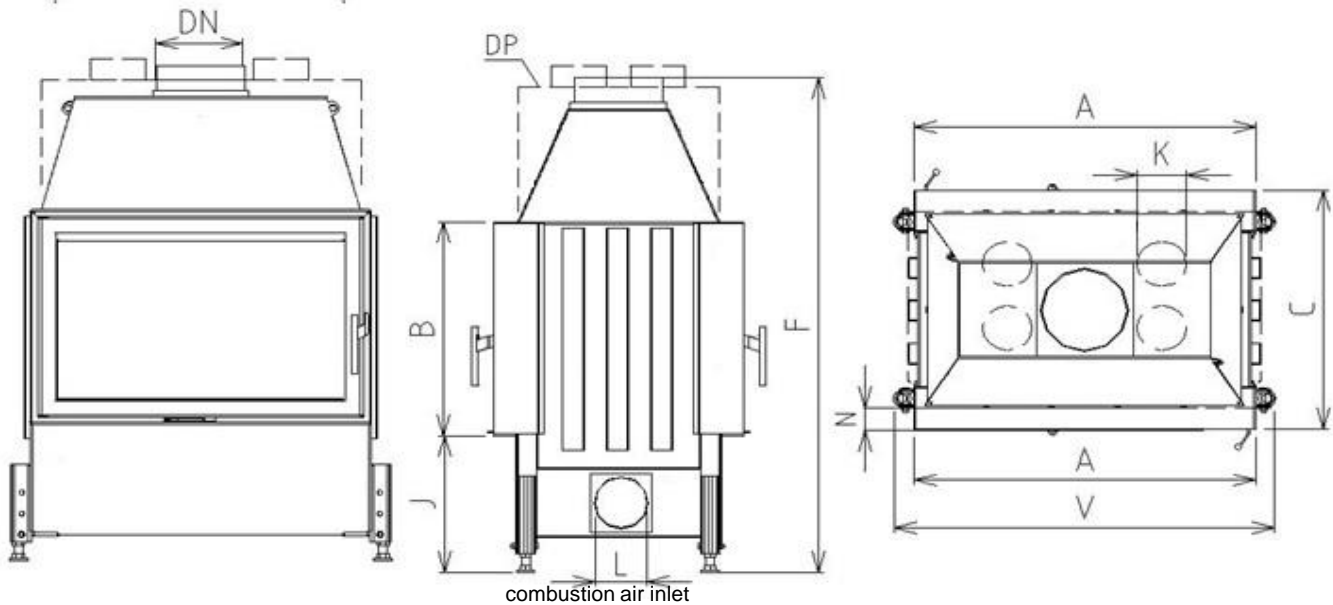
**Optional accessories:**

Cover frame (KR)  
Glass Reflex (SR)  
Black printed glass(SM)  
Black printed glass Reflex (SMR)  
External ashtray (VOP)  
Seg. chamotte lining (SO)  
Lower hearth (ZO)  
Convectional casing (DP)  
Rear feeding door (DPS,DPSO)  
Vertical heat-storing panel (AZ)  
Heat accumulation quadrant (APO)

Test Method: ČSN EN 1322/A2:2007, FprEN16510-1, FprEN16510-2-2

Fireplace complies with the requirements: EN 13229, DIN +, BImSchV-Stufe 2, Commission Regulation (EU) č. 2015/1185 Ecodesign requirements

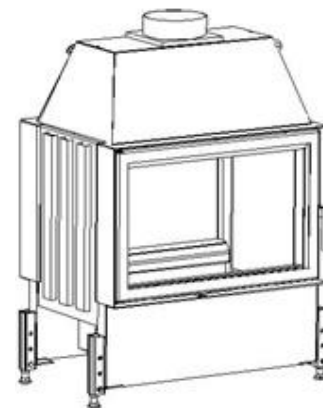
KOBOK reserves the right to change dimensions and parameters described in these sheets. The current edition can be downloaded from [www.KOBOK.sk](http://www.KOBOK.sk)



Sizes			CHOPOK O 78 LD 780/450	CHOPOK O 78 LD 780/510	CHOPOK O 78 LD 780/570
1	A	mm	780		
2	F	mm	1120	1180	1240
3	C	mm	570		
4	DN	Ø mm	200		
5	B	mm	450	510	570
6	V	mm	890		
7	R	mm			
8	AA	mm			
9	H	mm			
10	J	mm	325 + /160/		
11	K	Ø mm	4x125		
12	L	Ø mm	125		
13	M	mm			
14	N	mm	50		

**Basic design:**

Thermodynamic Hearth  
 Vertical Fireclay VS  
 Glass Classic  
 Inox control grip-handle 2xRP2  
 Environmentally friendly varnish



Technical parameters			
1	Nominal heat output	kW	11,0
2	Pressure required	Pa	12
3	Average efficiency	%	78
4	Average flue gas temperature	°C	267
5	Wood consumption	kg/h	3,5
6	Consumption of combustion air	m <sup>3</sup> /h	33
7	Emission of CO to 13% O <sub>2</sub>	%	0,1
8	Flue gas mass flow	g/s	11,5
9	Weight	kg	265
10	Required min. cross section for circulating air - INPUT	cm <sup>2</sup>	350
11	Required min. cross section for circulating air - OUTPUT	cm <sup>2</sup>	550
12	Three-component insulated chimney - active height 6 m	Ø cm	180
13	Character of building construction with fireplace insert	warm air convection	Yes
		heat storage without conv	Yes

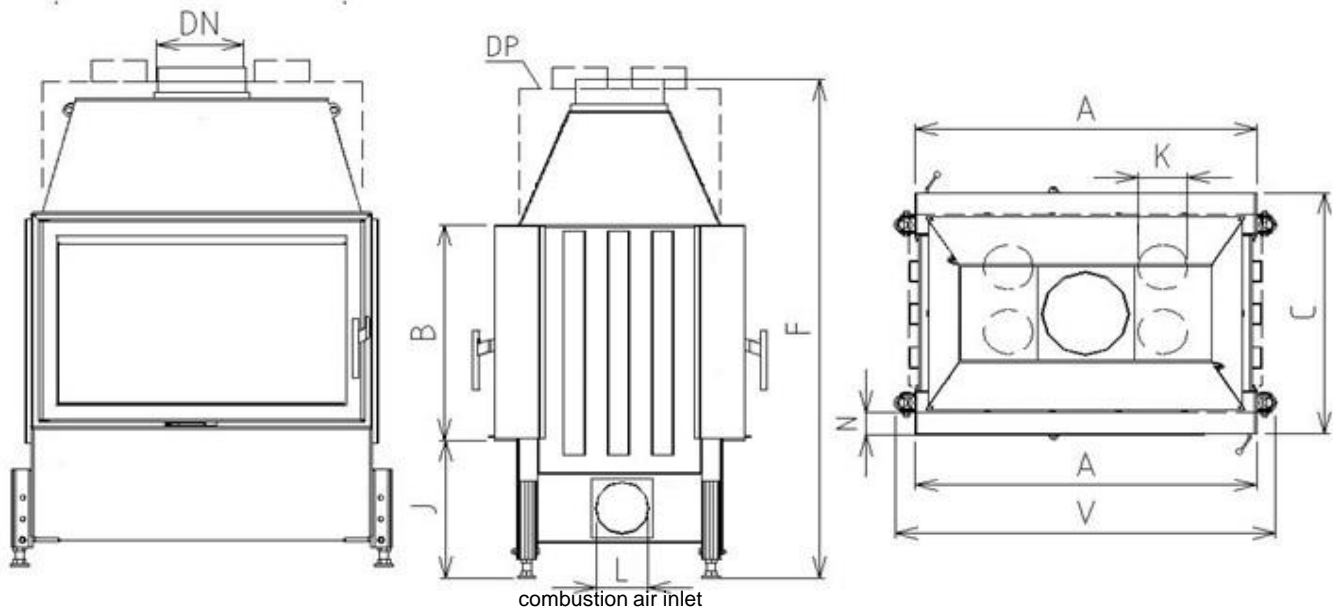
**Optional accessories:**

Cover frame (KR)  
 Glass Reflex (SR)  
 Black printed glass (SM)  
 Black printed glass Reflex (SMR)  
 External ashtray (VOP)  
 Seg. chamotte lining (SO)  
 Lower hearth (ZO)  
 Convectional casing (DP)  
 Rear feeding door (DPS, DPSO)  
 Vertical heat-storing panel (AZ)  
 Heat accumulation quadrant (APO)

Test Method: ČSN EN 1322/A2:2007, FprEN16510-1, FprEN16510-2-2

Fireplace complies with the requirements: EN 13229, DIN +, BImSchV-Stufe 2, Commission Regulation (EU) č. 2015/1185 Ecodesign requirements

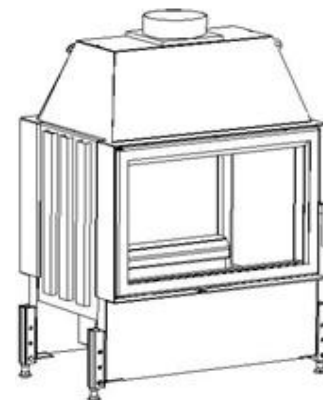
KOBOK reserves the right to change dimensions and parameters described in these sheets. The current edition can be downloaded from [www.KOBOK.sk](http://www.KOBOK.sk)



Sizes			CHOPOK O 84 LD 840/450	CHOPOK O 84 LD 840/510	CHOPOK O 84 LD 840/570
1	A	mm	840		
2	F	mm	1120	1180	1240
3	C	mm	570		
4	DN	Ø mm	200		
5	B	mm	450	510	570
6	V	mm	610		
7	R	mm			
8	AA	mm			
9	H	mm			
10	J	mm	325 + /160/		
11	K	Ø mm	4x125		
12	L	Ø mm	125		
13	M	mm			
14	N	mm	50		

**Basic design:**

Thermodynamic Hearth  
 Vertical Fireclay VS  
 Glass Classic  
 Inox control grip-handle 2xRP2  
 Enviromentally friendly varnish



Technical parameters			
1	Nominal heat output	kW	11,5
2	Pressure required	Pa	12
3	Average efficiency	%	76,1
4	Average flue gas temperature	°C	256
5	Wood consumption	kg/h	3,8
6	Consumption of combustion air	m <sup>3</sup> /h	35
7	Emission of CO to 13% O <sub>2</sub>	%	0,1
8	Flue gas mass flow	g/s	14,6
9	Weight	kg	275
10	Required min. cross section for circulating air - INPUT	cm <sup>2</sup>	350
11	Required min. cross section for circulating air - OUTPUT	cm <sup>2</sup>	575
12	Three-component insulated chimney - active height 6 m	Ø cm	180
13	Character of building construction with fireplace insert	warm air convection	Yes
		heat storage without conv	Yes

**Optional accessories:**

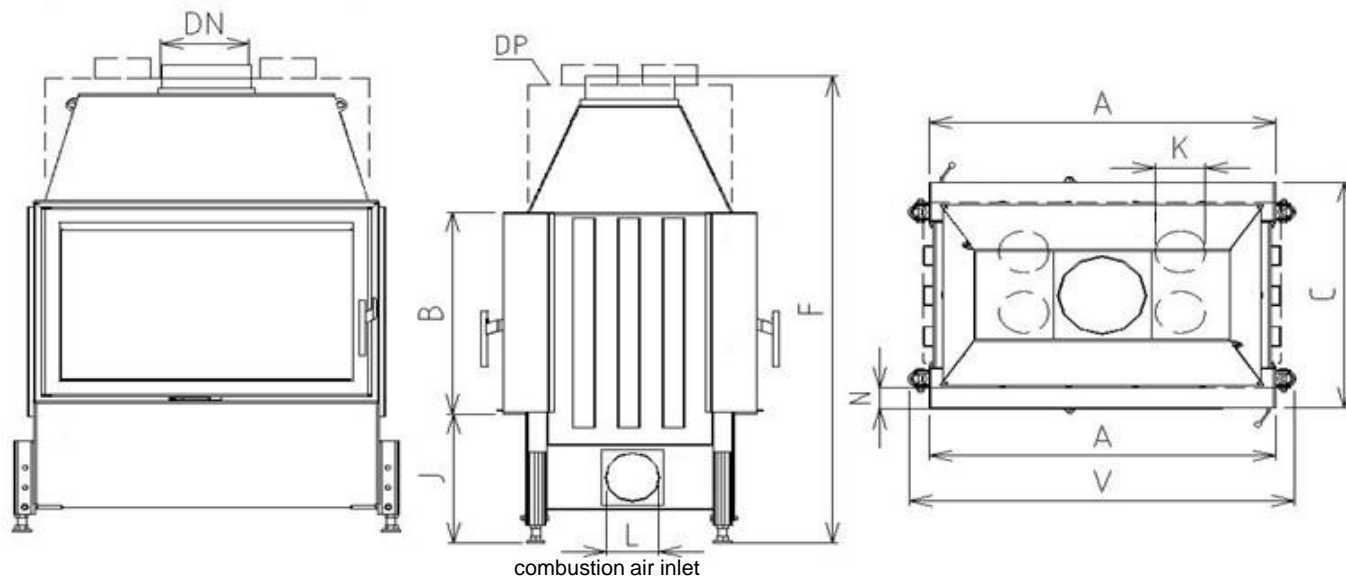
Cover frame (KR)  
 Glass Reflex (SR)  
 Black printed glass(SM)  
 Black printed glass Reflex (SMR)  
 External ashtray (VOP)  
 Seg. chamotte lining (SO)  
 Lower hearth (ZO)  
 Convectional casing (DP)  
 Rear feeding door (DPS,DPSO)  
 Vertical heat-storing panel (AZ)  
 Heat accumulation quadrant (APO)

Test Method: ČSN EN 1322/A2:2007, FprEN16510-1, FprEN16510-2-2

Fireplace complies with the requirements: EN 13229, DIN +, BImSchV-Stufe 2, Commission Regulation (EU) č. 2015/1185 Ecodesign requirements

KOBOK reserves the right to change dimensions and parameters described in these sheets. The current edition can be downloaded from [www.KOBOK.sk](http://www.KOBOK.sk)



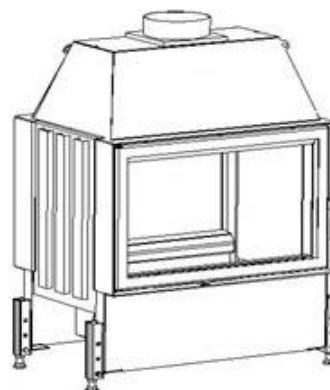


combustion air inlet

Sizes		CHOPOK O 90 LD 900/450	CHOPOK O 90 LD 900/510	CHOPOK O 90 LD 900/570	
1	A	mm	900		
2	F	mm	1150	1210	1270
3	C	mm	570		
4	DN	Ø mm	200		
5	B	mm	450	510	570
6	V	mm	1010		
7	R	mm			
8	AA	mm			
9	H	mm			
10	J	mm	325 + /160/		
11	K	Ø mm	4x125		
12	L	Ø mm	125		
13	M	mm			
14	N	mm	50		

**Basic design:**

Thermodynamic Hearth  
 Vertical Fireclay VS  
 Glass Classic  
 Inox control grip-handle 2xRP2  
 Enviromentally friendly varnish



Technical parameters			
1	Nominal heat output	kW	12,0
2	Pressure required	Pa	12
3	Average efficiency	%	78,5
4	Average flue gas temperature	°C	271
5	Wood consumption	kg/h	3,9
6	Consumption of combustion air	m <sup>3</sup> /h	36
7	Emission of CO to 13% O <sub>2</sub>	%	0,1
8	Flue gas mass flow	g/s	11,9
9	Weight	kg	285
10	Required min. cross section for circulating air - INPUT	cm <sup>2</sup>	375
11	Required min. cross section for circulating air - OUTPUT	cm <sup>2</sup>	600
12	Three-component insulated chimney - active height 5 m	Ø cm	200
13	Character of building construction with fireplace insert	warm air convection	Yes
		heat storage without conv	Yes

**Optional accessories:**

Cover frame (KR)  
 Glass Reflex (SR)  
 Black printed glass(SM)  
 Black printed glass Reflex (SMR)  
 External ashtray (VOP)  
 Seg. chamotte lining (SO)  
 Lower hearth (ZO)  
 Convectional casing (DP)  
 Rear feeding door (DPS,DPSO)  
 Vertical heat-storing panel (AZ)  
 Heat accumulation quadrant (APO)

Test Method: ČSN EN 1322/A2:2007, FprEN16510-1, FprEN16510-2-2

Fireplace complies with the requirements: EN 13229, DIN +, BImSchV-Stufe 2, Commission Regulation (EU) č. 2015/1185 Ecodesign requirements

KOBOK reserves the right to change dimensions and parameters described in these sheets. The current edition can be downloaded from www.KOBOK.sk