

Sizes			EKO L 60 LD 600/400	EKO L 60 LD 600/450
1	A	mm	600	
2	F	mm	915	965
3	C	mm	415	
4	DN	Ø mm	160	
5	B	mm	400	450
6	V	mm	710	
7	R	mm		
8	AA	mm		
9	H	mm		
10	J	mm	350 + /100/	
11	K	Ø mm	4x125	
12	L	Ø mm	125	
13	M	mm		
14	N	mm	50	

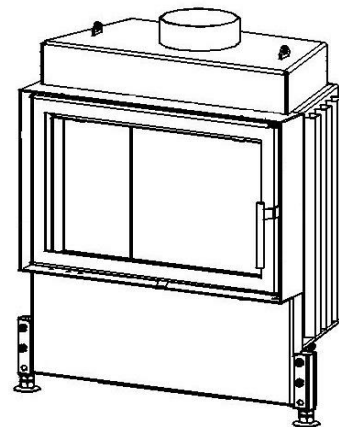
**Basic accessories:**

Thermodynamical hearth  
 Segmental chamotte lining  
 Glass classic  
 Inox door-handle RP2,RP1,RP1A  
 Coated with ecological paint

**Optional accessories:**

Convection casing (DP)  
 Vertical heat-storing panel (AZ)  
 Heat accumulation quadrant (APO)  
 Lava basket (KL)  
 Glass Reflex (SR)  
 Glass Modern (SM)  
 Cover frame (KR)

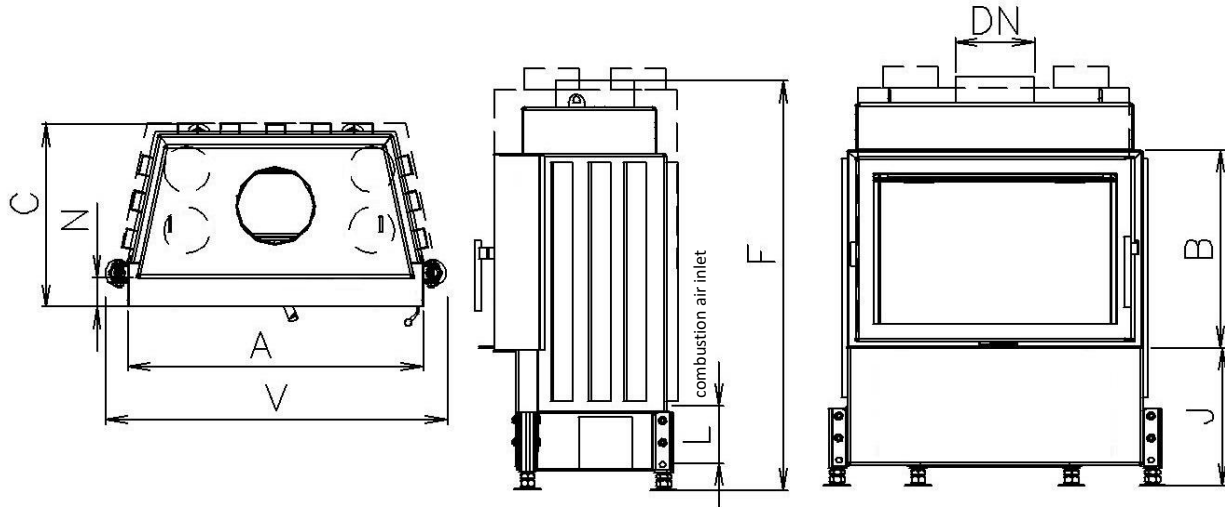
Technical parameters			
1	Nominal heat output	kW	7,5
2	Pressure required	Pa	12
3	Average efficiency	%	77,8
4	Average flue gas temperature	°C	252
5	Wood consumption	kg/h	2,3
6	Consumption of combustion air	m <sup>3</sup> /h	23
7	Emission of CO to 13% O2	%	0,1
8	Flue gas mass flow	g/s	8,9
9	Weight	kg	155
10	Required min. cross section for circulating air - INPUT	cm <sup>2</sup>	225
11	Required min. cross section for circulating air - OUTPUT	cm <sup>2</sup>	375
12	Three-component insulated chimney - active height 4 m	Ø cm	160
13	Character of building construction with fireplace insert	warm air convection	yes
		heat storage without conv	yes



Test Method: ČSN EN 1322/A2:2007, FprEN16510-1, FprEN16510-2-2

Fireplace complies with the requirements: STN EN 13229, DIN +, BlmSchV-Stufe 2, Commission Regulation (EU) č. 2015/1185 Ecodesign requirements

KOBOK reserves the right to change dimensions and parameters described in these sheets. The current edition can be downloaded from www.KOBOK.sk



Sizes			EKO L 67 LD 670/400	EKO L 67 LD 670/450
1	A	mm	670	
2	F	mm	915	965
3	C	mm	415	
4	DN	Ø mm	160	
5	B	mm	400	450
6	V	mm	780	
7	R	mm		
8	AA	mm		
9	H	mm		
10	J	mm	350 + /100/	
11	K	Ø mm	4x125	
12	L	Ø mm	125	
13	M	mm		
14	N	mm	50	

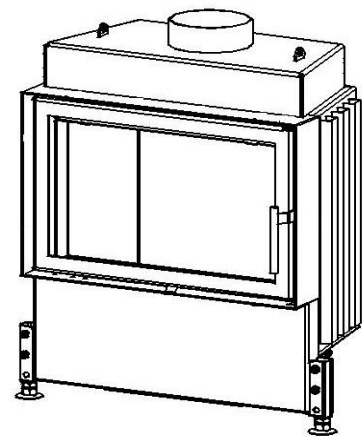
**Basic accessories:**

Thermodynamical hearth  
 Segmental chamotte lining  
 Glass classic  
 Inox door-handle RP2,RP1,RP1A  
 Coated with ecological paint

**Optional accessories:**

Convection casing (DP)  
 Vertical heat-storing panel (AZ)  
 Heat accumulation quadrant (APO)  
 Lava basket (KL)  
 Glass Reflex (SR)  
 Glass Modern (SM)  
 Cover frame (KR)

Technical parameters			
1	Nominal heat output	kW	7,5
2	Pressure required	Pa	12
3	Average efficiency	%	78,3
4	Average flue gas temperature	°C	245
5	Wood consuption	kg/h	2,3
6	Consumption of combustion air	m <sup>3</sup> /h	23
7	Emission of CO to 13% O2	%	0,1
8	Flue gas mass flow	g/s	8,9
9	Weight	kg	170
10	Required min. cross section for circulating air - INPUT	cm <sup>2</sup>	225
11	Required min. cross section for circulating air - OUTPUT	cm <sup>2</sup>	375
12	Three-component insulated chimney - active height 4 m	Ø cm	160
13	Character of building construction with fireplace insert	warm air convection	yes
		heat storage without conv	yes



Test Method: ČSN EN 1322/A2:2007, FprEN16510-1, FprEN16510-2-2

Fireplace complies with the requirements: STN EN 13229, DIN +, BlmSchV-Stufe 2, Commission Regulation (EU) č. 2015/1185 Ecodesign requirements

KOBOK reserves the right to change dimensions and parameters described in these sheets. The current edition can be downloaded from www.KOBOK.sk