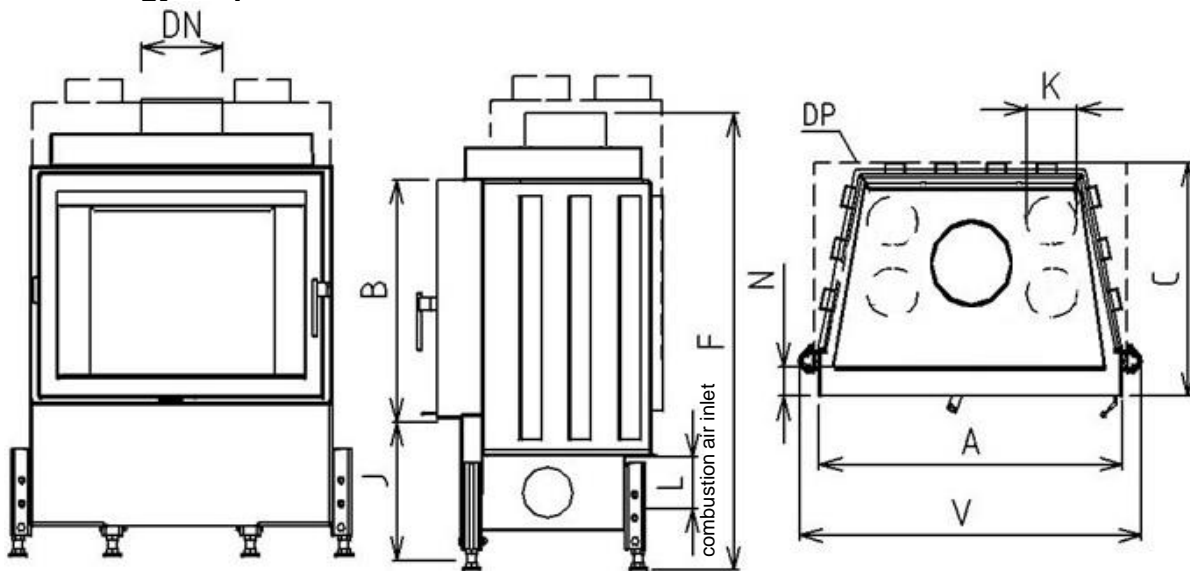


KAZETA L 60 LD 600/450,510

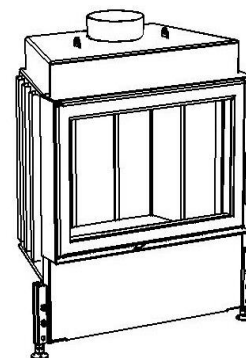
Low-energy range 60

Low-energy fireplace insert


| Sizes | | | KAZETA L 60 LD 600/450 | KAZETA L 60 LD 600/510 |
|-------|----|------|---------------------------|---------------------------|
| 1 | A | mm | 600 | |
| 2 | F | mm | 960 | 1020 |
| 3 | C | mm | 470 | |
| 4 | DN | Ø mm | 180 | |
| 5 | B | mm | 450 | 510 |
| 6 | V | mm | 710 | |
| 7 | R | mm | | |
| 8 | AA | mm | | |
| 9 | H | mm | | |
| 10 | J | mm | 325 + /160/ | |
| 11 | K | Ø mm | 4x125 | |
| 12 | L | Ø mm | 125 | |
| 13 | M | mm | | |
| 14 | N | mm | 50 | |

Basic design:

Thermodynamic Hearth
 Vertical Fireclay VS
 Glass Classic
 Inox control grip-handle RP2
 Environmentally friendly varnish



| Technical parameters | | | |
|----------------------|--|---------------------------|------|
| 1 | Nominal heat output | kW | 6,0 |
| 2 | Pressure required | Pa | 12 |
| 3 | Average efficiency | % | 79,1 |
| 4 | Average flue gas temperature | °C | 248 |
| 5 | Wood consumption | kg/h | 2 |
| 6 | Consumption of combustion air | m ³ /hod | 18 |
| 7 | Emission of CO to 13% O ₂ | % | 0,1 |
| 8 | Flue gas mass flow | g/s | 5,9 |
| 9 | Weight | kg | 185 |
| 10 | Required min. cross section for circulating air - INPUT | cm ² | 200 |
| 11 | Required min. cross section for circulating air - OUTPUT | cm ² | 300 |
| 12 | Three-component insulated chimney - active height 5 m | Ø cm | 160 |
| 13 | Character of building construction with fireplace insert | warm air convection | Yes |
| | | heat storage without conv | Yes |

Optional accessories:

Cover frame (KR)
 Glass Reflex (SR)
 Black printed glass (SM)
 Black printed glass Reflex (SMR)
 External ashtray (VOP)
 Seg. chamotte lining (SO)
 Lower hearth (ZO)
 Convectional casing (DP)
 Rear feeding door (PD)
 Vertical heat-storing panel (AZ)
 Heat accumulation quadrant (APO)

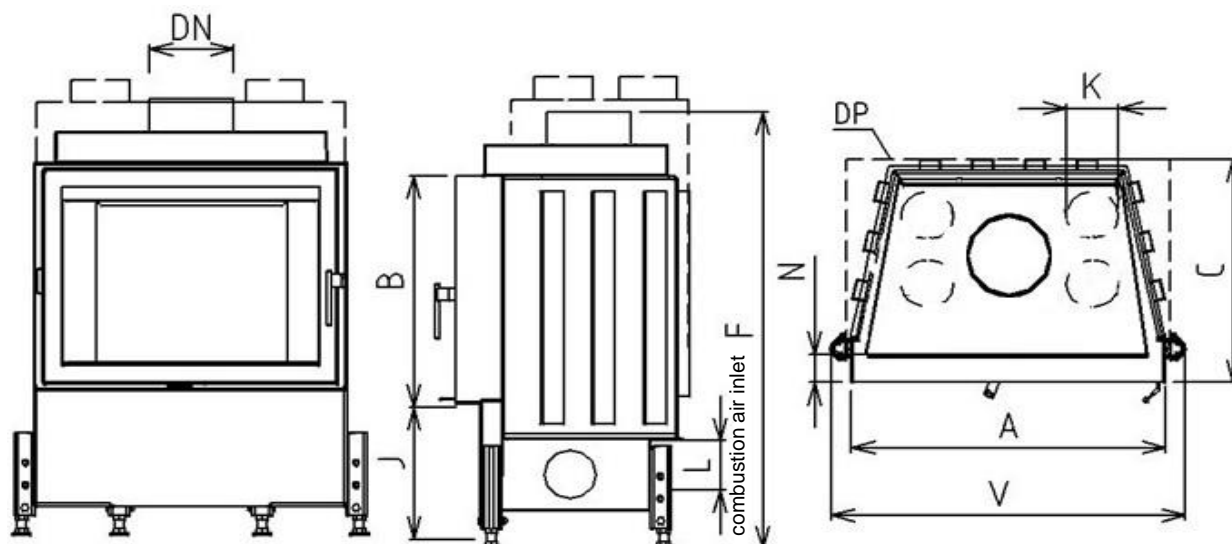
Test Method: ČSN EN 1322/A2:2007, FprEN16510-1, FprEN16510-2-2

Fireplace complies with the requirements: EN 13229, DIN +, BImSchV-Stufe 2, Commission Regulation (EU) č. 2015/1185 Ecodesign requirements

KOBOK reserves the right to change dimensions and parameters described in these sheets. The current edition can be downloaded from www.KOBOK.sk

KAZETA L 67 LD 670/450,510

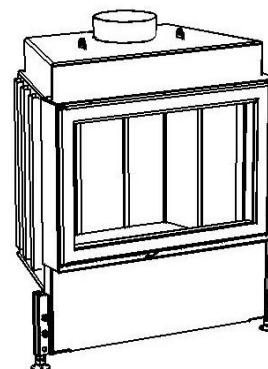
Low-energy range 67

Low-energy fireplace insert


| Sizes | | | KAZETA L 67 LD 670/450 | KAZETA L 67 LD 670/510 |
|-------|----|------|---------------------------|---------------------------|
| 1 | A | mm | 670 | |
| 2 | F | mm | 960 | 1020 |
| 3 | C | mm | 470 | |
| 4 | DN | Ø mm | 180 | |
| 5 | B | mm | 450 | 510 |
| 6 | V | mm | 780 | |
| 7 | R | mm | | |
| 8 | AA | mm | | |
| 9 | H | mm | | |
| 10 | J | mm | 325 + /160/ | |
| 11 | K | Ø mm | 4x125 | |
| 12 | L | Ø mm | 125 | |
| 13 | M | mm | | |
| 14 | N | mm | 50 | |

Basic design:

Thermodynamic Hearth
 Vertical Fireclay VS
 Glass Classic
 Inox control grip-handle RP2
 Enviromentally friendly varnish



| Technical parameters | | | |
|----------------------|--|---------------------------|------|
| 1 | Nominal heat output | kW | 6,5 |
| 2 | Pressure required | Pa | 12 |
| 3 | Average efficiency | % | 78 |
| 4 | Average flue gas temperature | °C | 253 |
| 5 | Wood consupcion | kg/h | 2,1 |
| 6 | Consumption of combustion air | m ³ /hod | 19,5 |
| 7 | Emission of CO to 13% O2 | % | 0,1 |
| 8 | Flue gas mass flow | g/s | 6,6 |
| 9 | Weight | kg | 200 |
| 10 | Required min. cross section for circulating air - INPUT | cm ² | 200 |
| 11 | Required min. cross section for circulating air - OUTPUT | cm ² | 325 |
| 12 | Three-component insulated chimney - active height 5 m | Ø cm | 180 |
| 13 | Character of building construction with fireplace insert | warm air convection | Yes |
| | | heat storage without conv | Yes |

Optional accessories:

Cover frame (KR)
 Glass Reflex (SR)
 Black printed glass(SM)
 Black printed glass Reflex (SMR)
 External ashtray (VOP)
 Seg. chamotte lining (SO)
 Lower hearth (ZO)
 Convectional casing (DP)
 Rear feeding door (PD)
 Vertical heat-storing panel (AZ)
 Heat accumulation quadrant (APO)

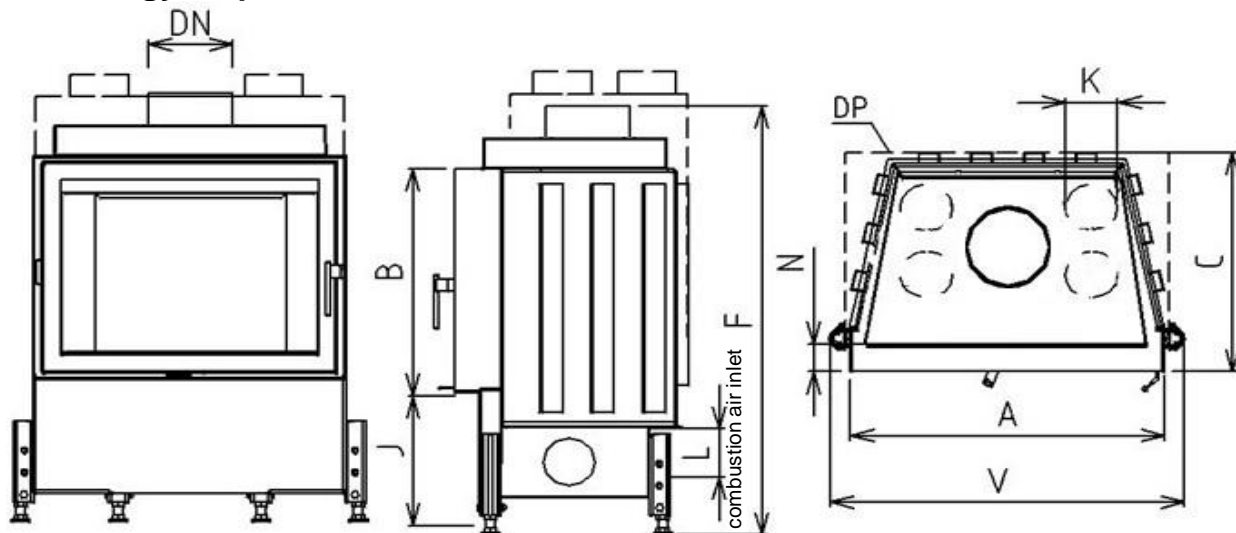
Test Method: ČSN EN 1322/A2:2007, FprEN16510-1, FprEN16510-2-2

Fireplace complies with the requirements: EN 13229, DIN +, BlmSchV-Stufe 2, Commission Regulation (EU) č. 2015/1185 Ecodesign requirements

KOBOK reserves the right to change dimensions and parameters described in these sheets. The current edition can be downloaded from www.KOBOK.sk

KAZETA L 73 LD 730/450,510

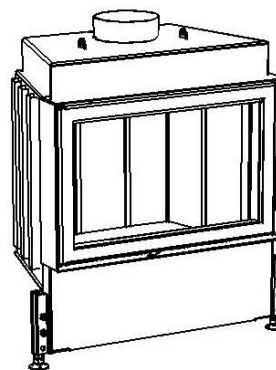
Low-energy range 73

Low-energy fireplace insert


| Sizes | | | KAZETA L 73 LD 730/450 | KAZETA L 73 LD 730/510 |
|-------|----|------|---------------------------|---------------------------|
| 1 | A | mm | 730 | |
| 2 | F | mm | 960 | 1020 |
| 3 | C | mm | 470 | |
| 4 | DN | Ø mm | 180 | |
| 5 | B | mm | 450 | 510 |
| 6 | V | mm | 840 | |
| 7 | R | mm | | |
| 8 | AA | mm | | |
| 9 | H | mm | | |
| 10 | J | mm | 325 + /160/ | |
| 11 | K | Ø mm | 4x125 | |
| 12 | L | Ø mm | 125 | |
| 13 | M | mm | | |
| 14 | N | mm | 50 | |

Basic design:

Thermodynamic Hearth
 Vertical Fireclay VS
 Glass Classic
 Inox control grip-handle RP2
 Environmentally friendly varnish



| Technical parameters | | | |
|----------------------|--|---------------------------|------|
| 1 | Nominal heat output | kW | 6,5 |
| 2 | Pressure required | Pa | 12 |
| 3 | Average efficiency | % | 77 |
| 4 | Average flue gas temperature | °C | 259 |
| 5 | Wood consumption | kg/h | 2,1 |
| 6 | Consumption of combustion air | m ³ /hod | 19,5 |
| 7 | Emission of CO to 13% O ₂ | % | 0,1 |
| 8 | Flue gas mass flow | g/s | 7,3 |
| 9 | Weight | kg | 215 |
| 10 | Required min. cross section for circulating air - INPUT | cm ² | 200 |
| 11 | Required min. cross section for circulating air - OUTPUT | cm ² | 325 |
| 12 | Three-component insulated chimney - active height 5 m | Ø cm | 180 |
| 13 | Character of building construction with fireplace insert | warm air convection | Yes |
| | | heat storage without conv | Yes |

Optional accessories:

Cover frame (KR)
 Glass Reflex (SR)
 Black printed glass (SM)
 Black printed glass Reflex (SMR)
 External ashtray (VOP)
 Seg. chamotte lining (SO)
 Lower hearth (ZO)
 Convectional casing (DP)
 Rear feeding door (PD)
 Vertical heat-storing panel (AZ)
 Heat accumulation quadrant (APO)

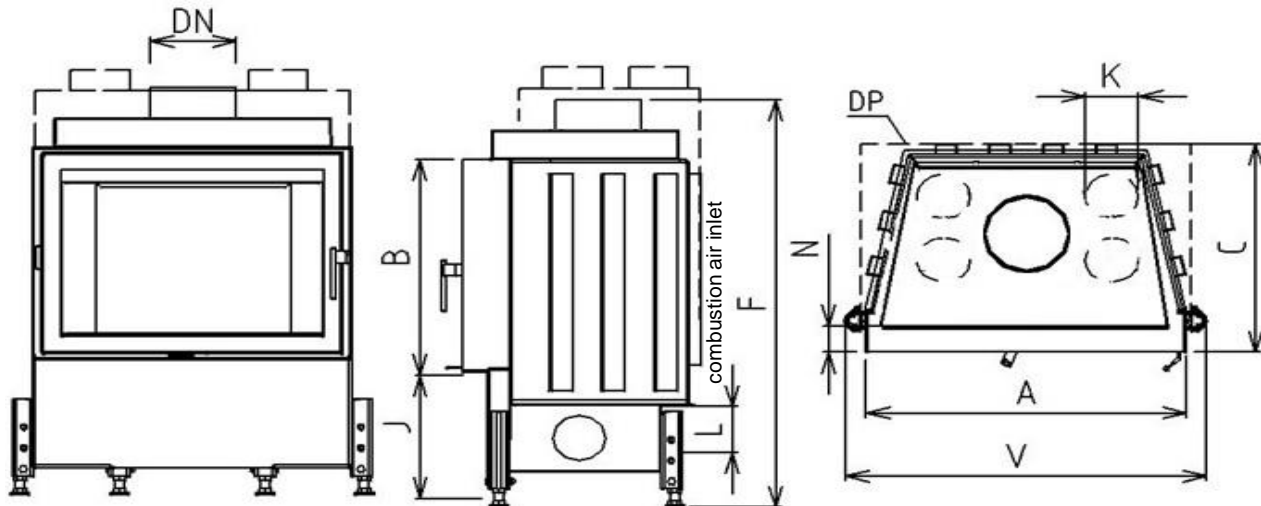
Test Method: ČSN EN 1322/A2:2007, FprEN16510-1, FprEN16510-2-2

Fireplace complies with the requirements: EN 13229, DIN +, BImSchV-Stufe 2, Commission Regulation (EU) č. 2015/1185 Ecodesign requirements

KOBOK reserves the right to change dimensions and parameters described in these sheets. The current edition can be downloaded from www.KOBOK.sk

KAZETA L 78 LD 780/450,510

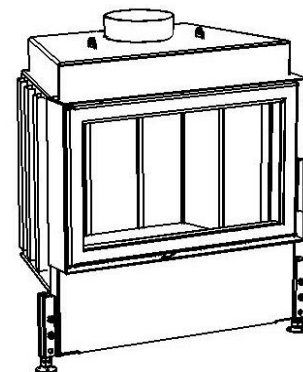
Low-energy range 78

Low-energy fireplace insert


| Sizes | | KAZETA L 78 LD 780/450 | KAZETA L 78 LD 780/510 |
|-------|----|---------------------------|---------------------------|
| 1 | A | mm | 780 |
| 2 | F | mm | 960 |
| 3 | C | mm | 470 |
| 4 | DN | Ø mm | 200 |
| 5 | B | mm | 450 |
| 6 | V | mm | 890 |
| 7 | R | mm | |
| 8 | AA | mm | |
| 9 | H | mm | |
| 10 | J | mm | 325 + /160/ |
| 11 | K | Ø mm | 4x125 |
| 12 | L | Ø mm | 125 |
| 13 | M | mm | |
| 14 | N | mm | 50 |

Basic design:

Thermodynamic Hearth
 Vertical Fireclay VS
 Glass Classic
 Inox control grip-handle RP2
 Environmentally friendly varnish



| Technical parameters | | | |
|----------------------|--|---------------------------|------|
| 1 | Nominal heat output | kW | 7,0 |
| 2 | Pressure required | Pa | 12 |
| 3 | Average efficiency | % | 75,9 |
| 4 | Average flue gas temperature | °C | 264 |
| 5 | Wood consumption | kg/h | 2,2 |
| 6 | Consumption of combustion air | m ³ /hod | 21 |
| 7 | Emission of CO to 13% O ₂ | % | 0,1 |
| 8 | Flue gas mass flow | g/s | 8 |
| 9 | Weight | kg | 230 |
| 10 | Required min. cross section for circulating air - INPUT | cm ² | 225 |
| 11 | Required min. cross section for circulating air - OUTPUT | cm ² | 350 |
| 12 | Three-component insulated chimney - active height 6 m | Ø cm | 180 |
| 13 | Character of building construction with fireplace insert | warm air convection | Yes |
| | | heat storage without conv | Yes |

Optional accessories:

Cover frame (KR)
 Glass Reflex (SR)
 Black printed glass(SM)
 Black printed glass Reflex (SMR)
 External ashtray (VOP)
 Seg. chamotte lining (SO)
 Lower hearth (ZO)
 Convectional casing (DP)
 Rear feeding door (PD)
 Vertical heat-storing panel (AZ)
 Heat accumulation quadrant (APO)

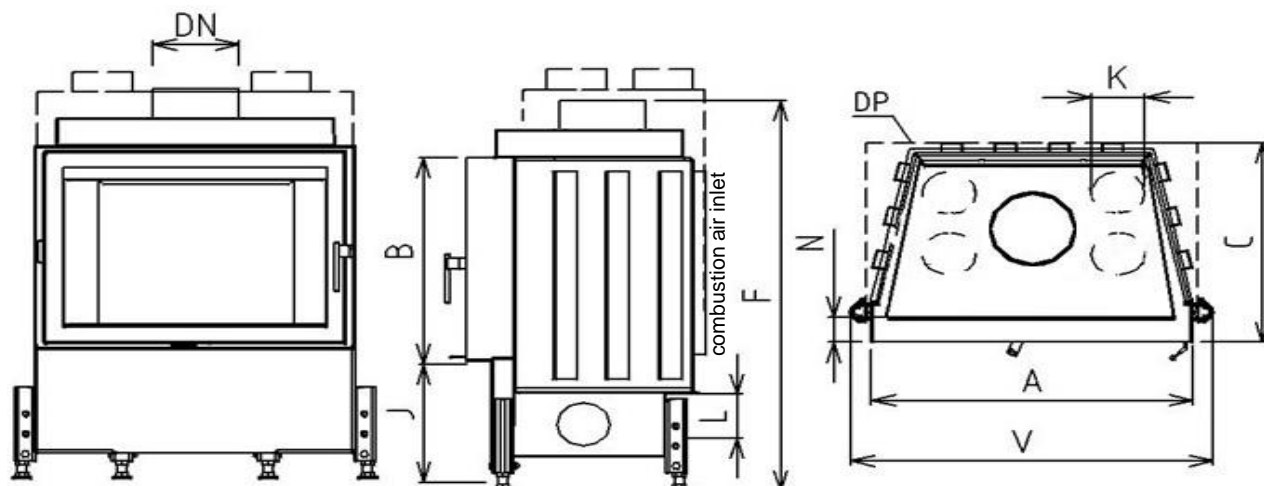
Test Method: ČSN EN 1322/A2:2007, FprEN16510-1, FprEN16510-2-2

Fireplace complies with the requirements: EN 13229, DIN +, BlmSchV-Stufe 2, Commission Regulation (EU) č. 2015/1185 Ecodesign requirements

KOBOK reserves the right to change dimensions and parameters described in these sheets. The current edition can be downloaded from www.KOBOK.sk

KAZETA L 90 LD 900/450,510

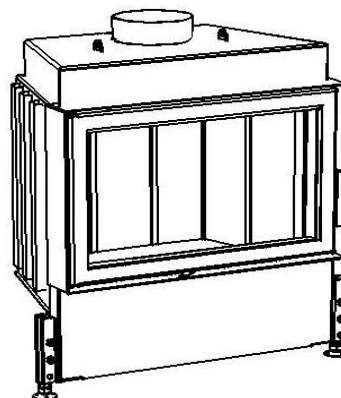
Low-energy range 90

Low-energy fireplace insert


| Sizes | | | KAZETA L 90 LD 900/450 | KAZETA L 90 LD 900/510 |
|-------|----|------|---------------------------|---------------------------|
| 1 | A | mm | 900 | |
| 2 | F | mm | 960 | 1020 |
| 3 | C | mm | 470 | |
| 4 | DN | Ø mm | 200 | |
| 5 | B | mm | 450 | 510 |
| 6 | V | mm | 1010 | |
| 7 | R | mm | | |
| 8 | AA | mm | | |
| 9 | H | mm | | |
| 10 | J | mm | 325 + /160/ | |
| 11 | K | Ø mm | 4x125 | |
| 12 | L | Ø mm | 125 | |
| 13 | M | mm | | |
| 14 | N | mm | 50 | |

Basic design:

Thermodynamic Hearth
 Vertical Fireclay VS
 Glass Classic
 Inox control grip-handle RP2
 Environmentally friendly varnish



| Technical parameters | | | |
|----------------------|--|---------------------------|------|
| 1 | Nominal heat output | kW | 9,5 |
| 3 | Pressure required | Pa | 12 |
| 4 | Average efficiency | % | 77,8 |
| 5 | Average flue gas temperature | °C | 255 |
| 6 | Wood consumption | kg/h | 2,9 |
| 7 | Consumption of combustion air | m ³ /hod | 28,5 |
| 8 | Emission of CO to 13% O ₂ | % | 0,1 |
| 9 | Flue gas mass flow | g/s | 10,2 |
| 10 | Weight | kg | 265 |
| 11 | Required min. cross section for circulating air - INPUT | cm ² | 300 |
| 12 | Required min. cross section for circulating air - OUTPUT | cm ² | 475 |
| 13 | Three-component insulated chimney - active height 6,5 m | Ø cm | 200 |
| 14 | Character of building construction with fireplace insert | warm air convection | Yes |
| | | heat storage without conv | Yes |

Optional accessories:

Cover frame (KR)
 Glass Reflex (SR)
 Black printed glass (SM)
 Black printed glass Reflex (SMR)
 External ashtray (VOP)
 Seg. chamotte lining (SO)
 Lower hearth (ZO)
 Convectonal casing (DP)
 Rear feeding door (PD)
 Vertical heat-storing panel (AZ)
 Heat accumulation quadrant (APO)

Test Method: ČSN EN 1322/A2:2007, FprEN16510-1, FprEN16510-2-2

Fireplace complies with the requirements: EN 13229, DIN +, BlmSchV-Stufe 2, Commission Regulation (EU) č. 2015/1185 Ecodesign requirements

KOBOK reserves the right to change dimensions and parameters described in these sheets. The current edition can be downloaded from www.KOBOK.sk