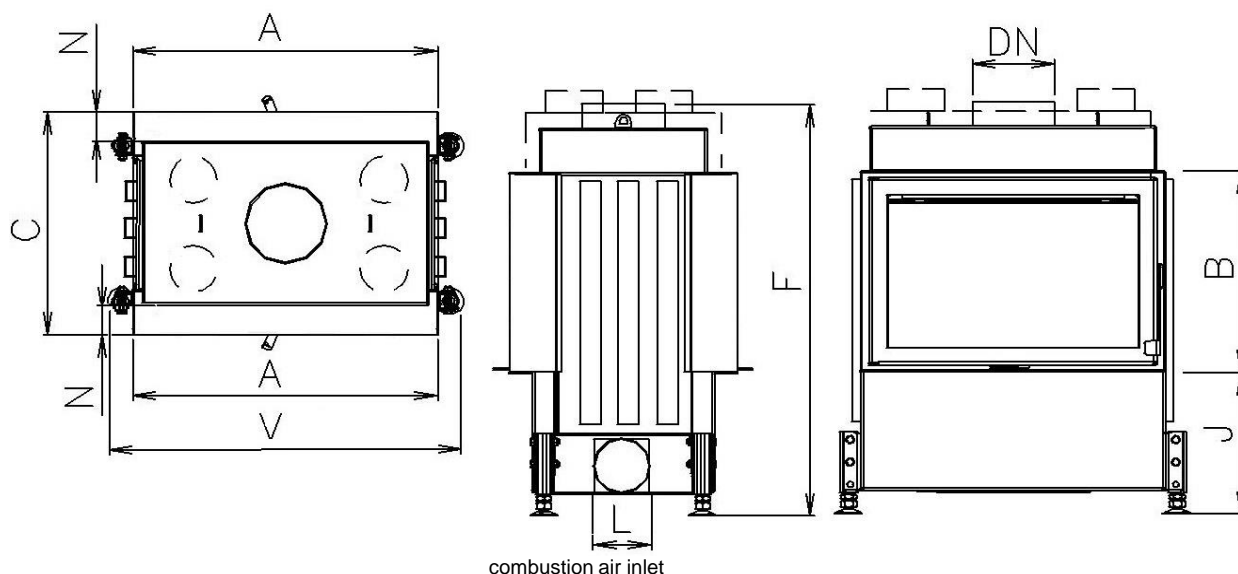


**KAZETA O 60 LD 600/450,510**

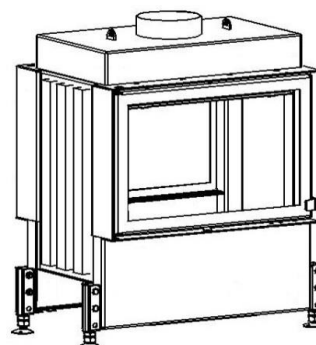
Low-energy range 60

**Low-energy fireplace insert**


Sizes		KAZETA O 60 LD 600/450	KAZETA O 60 LD 600/510
1	A	mm	600
2	F	mm	960 1020
3	C	mm	500
4	DN	Ø mm	180
5	B	mm	450 510
6	V	mm	710
7	R	mm	
8	AA	mm	
9	H	mm	
10	J	mm	325 + /165/
11	K	Ø mm	4x125
12	L	Ø mm	125
13	M	mm	
14	N	mm	50

**Basic design:**

Thermodynamic Hearth  
 Vertical Fireclay VS  
 Glass Classic  
 Inox control grip-handle 2xRP2  
 Enviromentally friendly varnish



Technical parameters			
1	Nominal heat output	kW	6,5
2	Pressure required	Pa	12
3	Average efficiency	%	77,9
4	Average flue gas temperature	°C	263
5	Wood consuption	kg/h	2,1
6	Consumption of combustion air	m <sup>3</sup> /hod	19,5
7	Emission of CO to 13% O2	%	0,1
8	Flue gas mass flow	g/s	7
9	Weight	kg	210
10	Required min. cross section for circulating air - INPUT	cm <sup>2</sup>	200
11	Required min. cross section for circulating air - OUTPUT	cm <sup>2</sup>	325
12	Three-component insulated chimney - active height 6 m	Ø cm	160
13	Character of building construction with fireplace insert	warm air convection	Yes
		heat storage without conv	Yes

**Optional accessories:**

Cover frame (KR)  
 Glass Reflex (SR)  
 Black printed glass(SM)  
 Black printed glass Reflex (SMR)  
 External ashtray (VOP)  
 Seg. chamotte lining (SO)  
 Lower hearth (ZO)  
 Convectional casing (DP)  
 Rear feeding door (DPS,DPSO)  
 Vertical heat-storing panel (AZ)  
 Heat accumulation quadrant (APO)

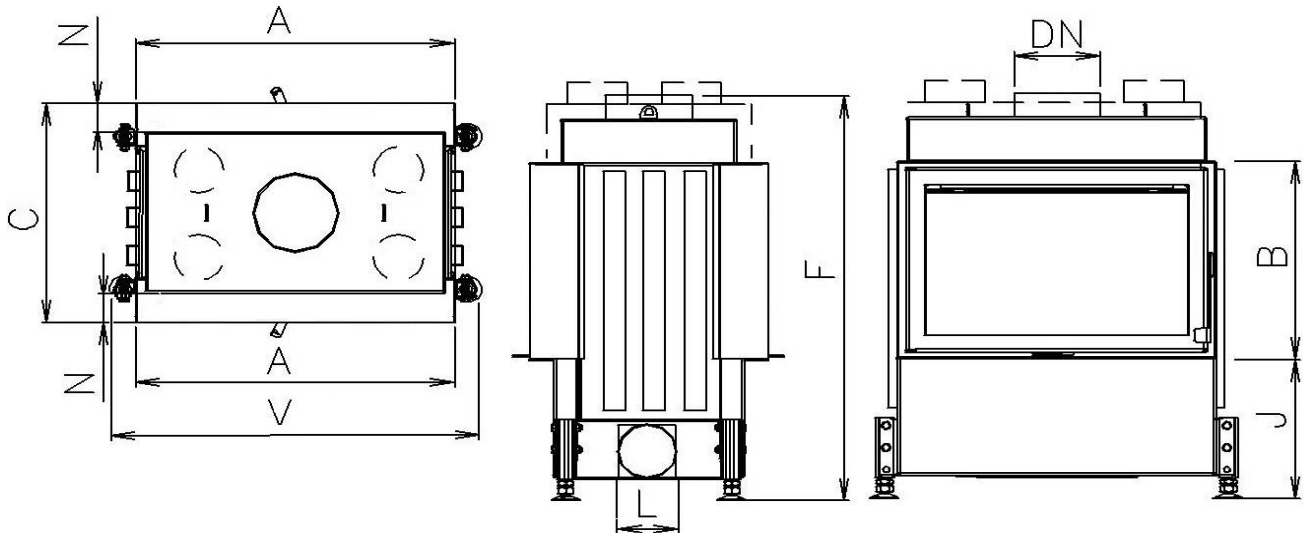
Test Method: ČSN EN 1322/A2:2007, FprEN16510-1, FprEN16510-2-2

Fireplace complies with the requirements: EN 13229, DIN +, BImSchV-Stufe 2, Commission Regulation (EU) č. 2015/1185 Ecodesign requirements

KOBOK reserves the right to change dimensions and parameters described in these sheets. The current edition can be downloaded from www.KOBOK.sk

**KAZETA O 67 LD 670/450,510**

Low-energy range 67

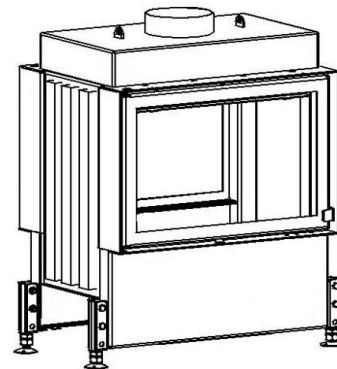
**Low-energy fireplace insert**


combustion air inlet

	Sizes		KAZETA O 67	KAZETA O 67
			LD 670/450	LD 670/510
1	A	mm	670	
2	F	mm	960	1020
3	C	mm	500	
4	DN	Ø mm	180	
5	B	mm	450	510
6	V	mm	780	
7	R	mm		
8	AA	mm		
9	H	mm		
10	J	mm	325 + /165/	
11	K	Ø mm	4x125	
12	L	Ø mm	125	
13	M	mm		
14	N	mm	50	

**Basic design:**

Thermodynamic Hearth  
 Vertical Fireclay VS  
 Glass Classic  
 Inox control grip-handle 2xRP2  
 Enviromentally friendly varnish



Technical parameters			
1	Nominal heat output	kW	7,0
2	Pressure required	Pa	12
3	Average efficiency	%	77,4
4	Average flue gas temperature	°C	261
5	Wood consuption	kg/h	2,2
6	Consumption of combustion air	m <sup>3</sup> /hod	21
7	Emission of CO to 13% O2	%	0,1
8	Flue gas mass flow	g/s	8,3
9	Weight	kg	230
10	Required min. cross section for circulating air - INPUT	cm <sup>2</sup>	225
11	Required min. cross section for circulating air - OUTPUT	cm <sup>2</sup>	350
12	Three-component insulated chimney - active height 5 m	Ø cm	180
13	Character of building construction with fireplace insert	warm air convection	Yes
		heat storage without conv	Yes

**Optional accessories:**

Cover frame (KR)  
 Glass Reflex (SR)  
 Black printed glass(SM)  
 Black printed glass Reflex (SMR)  
 External ashtray (VOP)  
 Seg. chamotte lining (SO)  
 Lower hearth (ZO)  
 Convectional casing (DP)  
 Rear feeding door (DPS,DPSO)  
 Vertical heat-storing panel (AZ)  
 Heat accumulation quadrant (APO)

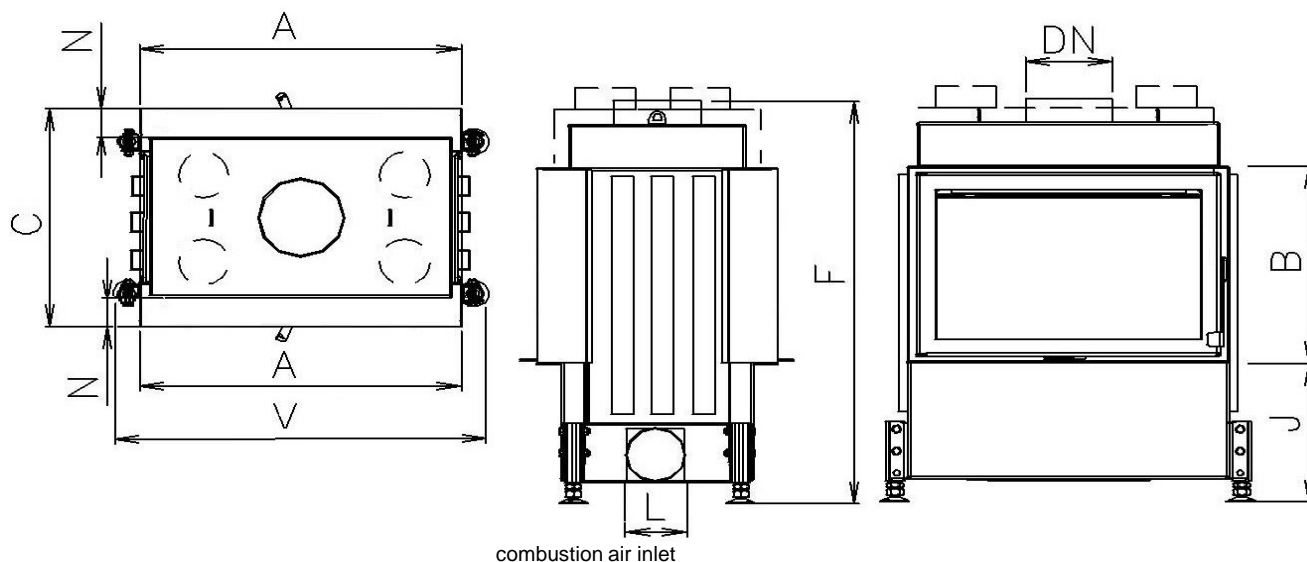
Test Method: ČSN EN 1322/A2:2007, FprEN16510-1, FprEN16510-2-2

Fireplace complies with the requirements: EN 13229, DIN +, BImSchV-Stufe 2, Commission Regulation (EU) č. 2015/1185 Ecodesign requirements

KOBOK reserves the right to change dimensions and parameters described in these sheets. The current edition can be downloaded from www.KOBOK.sk

**KAZETA O 73 LD 730/450,510**

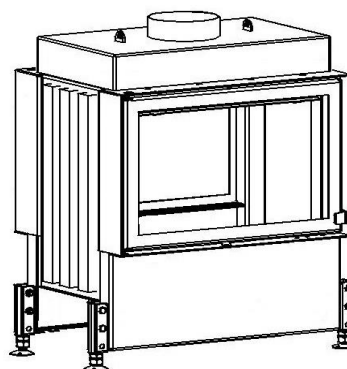
Low-energy range 73

**Low-energy fireplace insert**


Sizes			KAZETA O 73 LD 730/450	KAZETA O 73 LD 730/510
1	A	mm	730	
2	F	mm	960	1020
3	C	mm	500	
4	DN	Ø mm	180	
5	B	mm	450	510
6	V	mm	840	
7	R	mm		
8	AA	mm		
9	H	mm		
10	J	mm	325 + /160/	
11	K	Ø mm	4x125	
12	L	Ø mm	125	
13	M	mm		
14	N	mm	50	

**Basic design:**

Thermodynamic Hearth  
 Vertical Fireclay VS  
 Glass Classic  
 Inox control grip-handle 2xRP2  
 Environmentally friendly varnish



Technical parameters			
1	Nominal heat output	kW	8,0
2	Pressure required	Pa	12
3	Average efficiency	%	76,9
4	Average flue gas temperature	°C	259
5	Wood consumption	kg/h	2,5
6	Consumption of combustion air	m <sup>3</sup> /hod	24
7	Emission of CO to 13% O <sub>2</sub>	%	0,1
8	Flue gas mass flow	g/s	9,6
9	Weight	kg	235
10	Required min. cross section for circulating air - INPUT	cm <sup>2</sup>	250
11	Required min. cross section for circulating air - OUTPUT	cm <sup>2</sup>	400
12	Three-component insulated chimney - active height 5 m	Ø cm	180
13	Character of building construction with fireplace insert	warm air convection	Yes
		heat storage without conv	Yes

**Optional accessories:**

Cover frame (KR)  
 Glass Reflex (SR)  
 Black printed glass (SM)  
 Black printed glass Reflex (SMR)  
 External ashtray (VOP)  
 Seg. chamotte lining (SO)  
 Lower hearth (ZO)  
 Convectional casing (DP)  
 Rear feeding door (DPS, DPSO)  
 Vertical heat-storing panel (AZ)  
 Heat accumulation quadrant (APO)

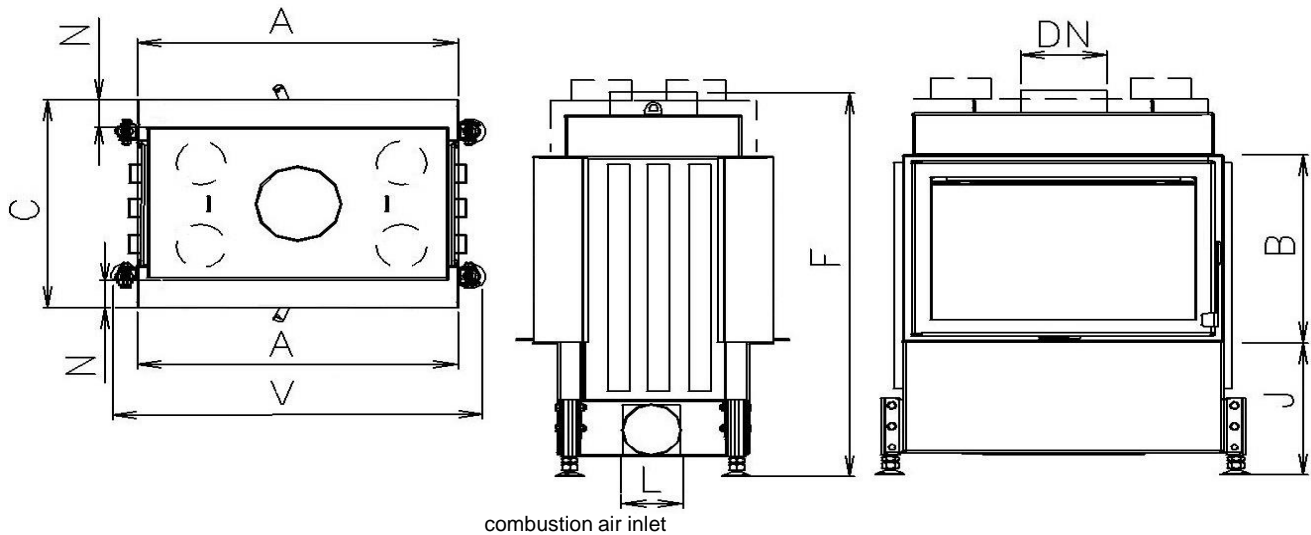
Test Method: ČSN EN 1322/A2:2007, FprEN16510-1, FprEN16510-2-2

Fireplace complies with the requirements: EN 13229, DIN +, BlmSchV-Stufe 2, Commission Regulation (EU) č. 2015/1185 Ecodesign requirements

KOBOK reserves the right to change dimensions and parameters described in these sheets. The current edition can be downloaded from www.KOBOK.sk

**KAZETA O 78 LD 780/450,510**

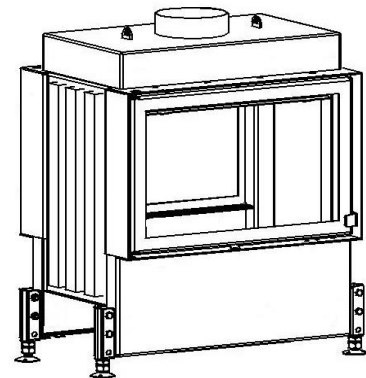
Low-energy range 78

**Low-energy fireplace insert**


Sizes		KAZETA O 78 LD 780/450	KAZETA O 78 LD 780/510
1	A	mm	780
2	F	mm	960
3	C	mm	500
4	DN	Ø mm	200
5	B	mm	450
6	V	mm	890
7	R	mm	
8	AA	mm	
9	H	mm	
10	J	mm	325 + /160/
11	K	Ø mm	4x125
12	L	Ø mm	125
13	M	mm	
14	N	mm	50

**Basic design:**

Thermodynamic Hearth  
 Vertical Fireclay VS  
 Glass Classic  
 Inox control grip-handle 2xRP2  
 Environmentally friendly varnish


**Optional accessories:**

Cover frame (KR)  
 Glass Reflex (SR)  
 Black printed glass (SM)  
 Black printed glass Reflex (SMR)  
 External ashtray (VOP)  
 Seg. chamotte lining (SO)  
 Lower hearth (ZO)  
 Convectional casing (DP)  
 Rear feeding door (DPS, DPSO)  
 Vertical heat-storing panel (AZ)  
 Heat accumulation quadrant (APO)

Technical parameters			
1	Nominal heat output	kW	9,0
2	Pressure required	Pa	12
3	Average efficiency	%	76,4
4	Average flue gas temperature	°C	257
5	Wood consumption	kg/h	2,9
6	Consumption of combustion air	m <sup>3</sup> /hod	27
7	Emission of CO to 13% O <sub>2</sub>	%	0,1
8	Flue gas mass flow	g/s	10,9
9	Weight	kg	250
10	Required min. cross section for circulating air - INPUT	cm <sup>2</sup>	275
11	Required min. cross section for circulating air - OUTPUT	cm <sup>2</sup>	450
12	Three-component insulated chimney - active height 6 m	Ø cm	180
13	Character of building construction with fireplace insert	warm air convection	Yes
		heat storage without conv	Yes

Test Method: ČSN EN 1322/A2:2007, FprEN16510-1, FprEN16510-2-2

Fireplace complies with the requirements: EN 13229, DIN +, BlmSchV-Stufe 2, Commission Regulation (EU) č. 2015/1185 Ecodesign requirements

KOBOK reserves the right to change dimensions and parameters described in these sheets. The current edition can be downloaded from www.KOBOK.sk